

# HARRISON

Harrison Machine and Plastic  Corporation

11614 ST RT 88 • GARRETTSVILLE, OH 44231  
(330) 527-5641 • WWW.HARRISONPLASTIC.COM

## CORZAN® CPVC DUCT SYSTEMS

### DIMENSION CATALOG

For HARRISON Fume Exhaust  
Systems



2025





# HARRISON

## Harrison Machine and Plastic Corporation



11614 ST RT 88 • GARRETTSVILLE, OH 44231  
(330) 527-5641 • WWW.HARRISONPLASTIC.COM

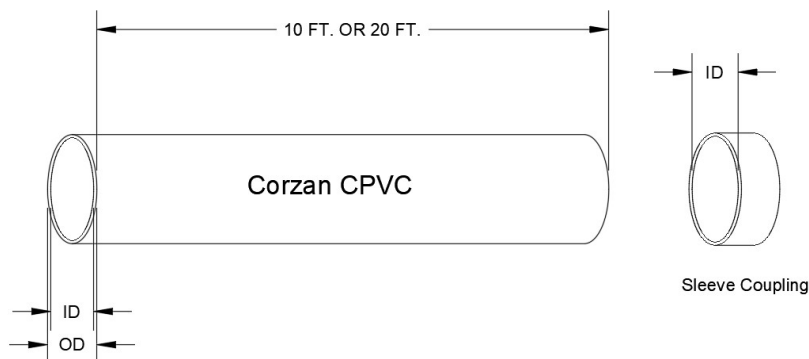
<b>Description</b>	<b>Page No.</b>
CORZAN CPVC DUCT PIPE X 10FT	3
CORZAN CPVC DUCT PIPE X 20FT	4
FABRICATED CORZAN CPVC DUCT PIPE -PLAIN END	5
FABRICATED CORZAN CPVC DUCT PIPE -SOCKET END	6
SS HANGERS	7
45° ELBOW 2 PIECE	8
45° ELBOW 3 PIECE	9
90° ELBOW 3 PIECE	10
90° ELBOW 5 PIECE	11
HOSE ADAPTER (SOCKET X HOSE)	12
HOSE ADAPTER (PLAIN END X HOSE)	13
BLASTGATE	14
BLIND FLANGE	15
BUTTERFLY DAMPER	16
CAP	17
COUPLING	18
FLEXIBLE COUPLING	19
GASKETS	20
HOODS	21
RAINSKIRT	22
REDUCER COUPLING	23
ROLLED REDUCER COUPLING	24-26
ROOF FLASHING	27
SOCKET FLANGE (DUCT DRILLING)	28
SOCKET FLANGE (150# DRILLING)	29
STYLE A WEATHERCAP	30
STYLE B WEATHERCAP	31
TEE	32-34
TRANSITIONS	35
TRUE WYE	36
WYE	37-42



# HARRISON

Harrison Machine and Plastic  Corporation

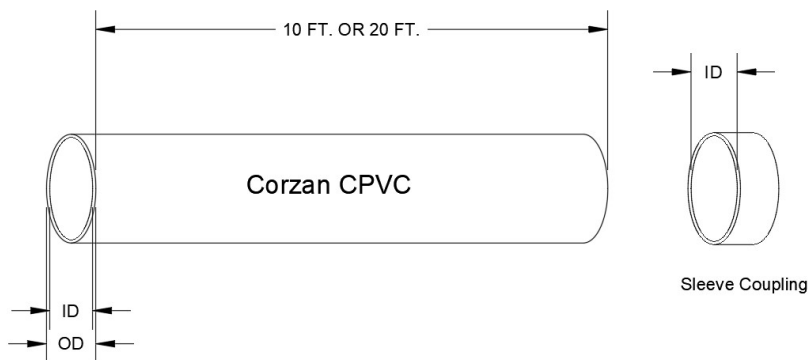
11614 ST RT 88 • GARRETTSVILLE, OH 44231  
(330) 527-5641 • WWW.HARRISONPLASTIC.COM



## CORZAN® CPVC DUCT PIPE (10FT)

Part No.	Size	(O.D.)	(I.D.)	Wall	Wt/Ft.	Standard Length
	Extruded					
1833-PP1-02	2"	2.375"	2.047"	0.154"	0.761	10 ft.
1833-PP1-03	3"	3.500"	3.042"	0.216"	1.572	10 ft.
1833-PP1-04	4"	4.500"	4.134"	0.173"	2.239	10 ft.
1833-PP1-05	5"	5.563"	5.016"	0.258"	3.095	10 ft.
1833-PP1-06	6"	6.625"	6.250"	0.187"	2.555	10 ft.
1833-PP1-08	8"	8.625"	8.250"	0.187"	3.349	10 ft.
1833-PP1-10	10"	10.750"	10.380"	0.187"	4.192	10 ft.
1833-PP1-12	12"	12.750"	12.380"	0.187"	4.986	10 ft.
1833-PP1-14	14"	14.000"	13.630"	0.187"	5.485	10 ft.
1833-PP1-16	16"	16.000"	15.630"	0.187"	6.273	10 ft.
1833-PP1-18	18"	18.000"	17.630"	0.187"	7.580	10 ft.
1833-PP1-20	20"	20.000"	19.500"	0.219"	9.146	10 ft.
1833-PP1-24	24"	24.000"	23.500"	0.250"	12.536	10 ft.

Duct diameter thru 60" available. Contact factory for details.



## CORZAN® CPVC DUCT PIPE (20FT)

Part No.	Size	(O.D.)	(I.D.)	Wall	Wt/Ft.	Standard Length
	<b>Extruded</b>					
1833-PP2-02	2"	2.375"	2.047"	0.154"	0.761	20 ft.
1833-PP2-03	3"	3.500"	3.042"	0.216"	1.572	20 ft.
1833-PP2-04	4"	4.500"	4.134"	0.173"	2.239	20 ft.
1833-PP2-05	5"	5.563"	5.016"	0.258"	3.095	20 ft.
1833-PP2-06	6"	6.625"	6.250"	0.187"	2.555	20 ft.
1833-PP2-08	8"	8.625"	8.250"	0.187"	3.349	20 ft.
1833-PP2-10	10"	10.750"	10.380"	0.187"	4.192	20 ft.
1833-PP2-12	12"	12.750"	12.380"	0.187"	4.986	20 ft.
1833-PP2-14	14"	14.000"	13.630"	0.187"	5.485	20 ft.
1833-PP2-16	16"	16.000"	15.630"	0.187"	6.273	20 ft.
1833-PP2-18	18"	18.000"	17.630"	0.187"	7.58	20 ft.
1833-PP2-20	20"	20.000"	19.500"	0.219"	9.146	20 ft.
1833-PP2-24	24"	24.000"	23.500"	0.250"	12.536	20 ft.

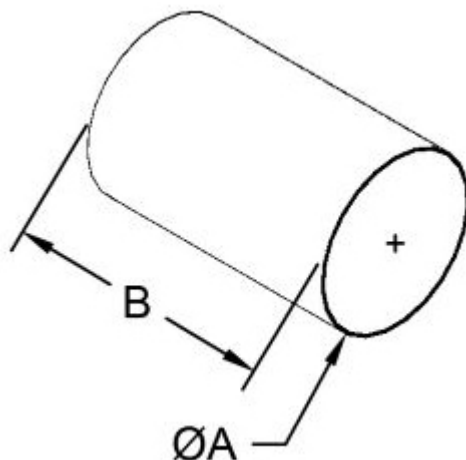
Duct diameter thru 60" available. Contact factory for details.



# HARRISON

Harrison Machine and Plastic  Corporation

11614 ST RT 88 • GARRETTSVILLE, OH 44231  
(330) 527-5641 • WWW.HARRISONPLASTIC.COM



## FABRICATED CORZAN® CPVC DUCT PIPE

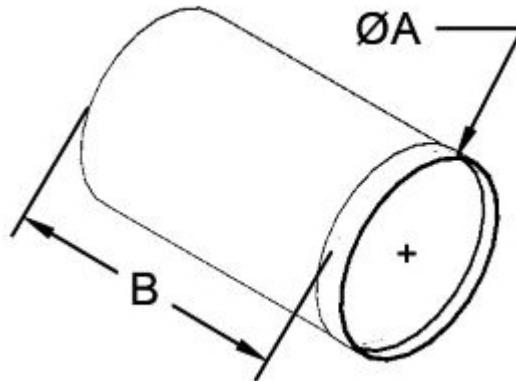
Part No.	Size	(O.D.)	(I.D.)	Wall	Approx. Wt/Ft.	Standard Length
	Fabricated	A				B
1833-PP4-22	22"	22.000"	21.626"	0.187"	8.750	4 FT Plain End
1833-PP4-26	26"	26.000"	25.626"	0.187"	10.500	4 FT Plain End
1833-PP4-28	28"	28.000"	27.626"	0.187"	11.140	4 FT Plain End
1833-PP4-30	30"	30.000"	29.626"	0.187"	12.000	4 FT Plain End
1833-PP4-32	32"	32.000"	31.500"	0.250"	17.000	4 FT Plain End
1833-PP4-34	34"	34.000"	33.500"	0.250"	18.060	4 FT Plain End
1833-PP4-36	36"	36.000"	35.500"	0.250"	19.120	4 FT Plain End
1833-PP4-38	38"	38.000"	37.500"	0.250"	20.180	4 FT Plain End
1833-PP4-40	40"	40.000"	39.500"	0.250"	21.240	4 FT Plain End
1833-PP4-42	42"	42.000"	41.500"	0.250"	22.310	4 FT Plain End
1833-PP4-44	44"	44.000"	43.500"	0.250"	23.370	4 FT Plain End
1833-PP4-46	46"	46.000"	45.500"	0.250"	24.430	4 FT Plain End
1833-PP4-48	48"	48.000"	47.500"	0.250"	25.500	4 FT Plain End
1833-PP4-50	50"	50.000"	49.500"	0.250"	26.560	4 FT Plain End
1833-PP4-52	52"	52.000"	51.500"	0.250"	27.620	4 FT Plain End
1833-PP4-60	60"	60.000"	59.250"	0.375"	31.870	4 FT Plain End



# HARRISON

Harrison Machine and Plastic  Corporation

11614 ST RT 88 • GARRETTSVILLE, OH 44231  
(330) 527-5641 • WWW.HARRISONPLASTIC.COM



## FABRICATED CORZAN® CPVC DUCT PIPE

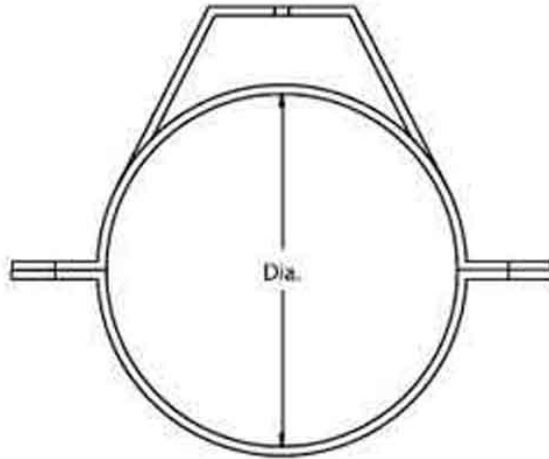
Part No.	Size	(O.D.)	(I.D.)	Wall	Approx. Wt/Ft.	Standard Length
	Fabricated	A				B
1834-PP4-22	22"	22.000"	21.626"	0.187"	9.750	4 FT w/Coupling
1834-PP4-26	26"	26.000"	25.626"	0.187"	11.500	4 FT w/Coupling
1834-PP4-28	28"	28.000"	27.626"	0.187"	12.250	4 FT w/Coupling
1834-PP4-30	30"	30.000"	29.626"	0.187"	13.250	4 FT w/Coupling
1834-PP4-32	32"	32.000"	31.500"	0.250"	18.750	4 FT w/Coupling
1834-PP4-34	34"	34.000"	33.500"	0.250"	19.750	4 FT w/Coupling
1834-PP4-36	36"	36.000"	35.500"	0.250"	20.875	4 FT w/Coupling
1834-PP4-38	38"	38.000"	37.500"	0.250"	22.175	4 FT w/Coupling
1834-PP4-40	40"	40.000"	39.500"	0.250"	23.250	4 FT w/Coupling
1834-PP4-42	42"	42.000"	41.500"	0.250"	24.300	4 FT w/Coupling
1834-PP4-44	44"	44.000"	43.500"	0.250"	25.625	4 FT w/Coupling
1834-PP4-46	46"	46.000"	45.500"	0.250"	26.675	4 FT w/Coupling
1834-PP4-48	48"	48.000"	47.500"	0.250"	28.000	4 FT w/Coupling
1834-PP4-50	50"	50.000"	49.500"	0.250"	29.000	4 FT w/Coupling
1834-PP4-52	52"	52.000"	51.500"	0.250"	30.375	4 FT w/Coupling
1834-PP4-60	60"	60.000"	59.250"	0.375"	36.375	4 FT w/Coupling



# HARRISON

Harrison Machine and Plastic  Corporation

11614 ST RT 88 • GARRETTSVILLE, OH 44231  
(330) 527-5641 • WWW.HARRISONPLASTIC.COM



<b>PIPE HANGERS</b>			
<b>304 STAINLESS STEEL</b>			
<b>Part No.</b>	<b>Size</b>	<b>DIA</b>	<b>APPROX. WGT. (LBS)</b>
PH-04	4"	4.500"	1
PH-06	6"	6.625"	1
PH-08	8"	8.625"	1
PH-10	10"	10.750"	1
PH-12	12"	12.750"	1
PH-14	14"	14.000"	1
PH-16	16"	16.000"	2
PH-18	18"	18.000"	2
PH-20	20"	20.000"	4
PH-24	24"	24.000"	5

**CONTACT FACTORY FOR SIZES NOT SHOWN**



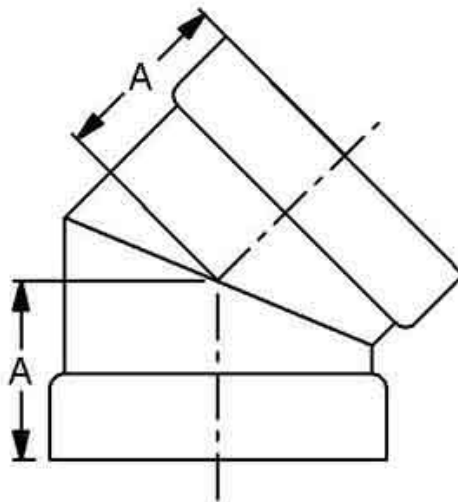
# HARRISON

Harrison Machine and Plastic  Corporation

11614 ST RT 88 • GARRETTSVILLE, OH 44231  
(330) 527-5641 • WWW.HARRISONPLASTIC.COM

## 45° Elbow Belled (2 piece)

Part No.	Size	A	Approx. Wgt (lbs.)
1834-45-02	2"	2.750"	1
1834-45-03	3"	4.688"	2
1834-45-04	4"	4.875"	2
1834-45-05	5"	4.906"	3
1834-45-06	6"	5.125"	3
1834-45-08	8"	5.623"	4
1834-45-10	10"	6.000"	5
1834-45-12	12"	6.375"	6
1834-45-14	14"	6.625"	6
1834-45-16	16"	7.313"	9
1834-45-18	18"	7.750"	10
1834-45-20	20"	8.875"	12
1834-45-22	22"	11.367"	21
1834-45-24	24"	9.750"	21
1834-45-26	26"	13.024"	27
1834-45-28	28"	13.852"	30
1834-45-30	30"	14.681"	35
1834-45-32	32"	15.509"	52
1834-45-34	34"	16.338"	57
1834-45-36	36"	17.166"	62
1834-45-38	38"	17.990"	69

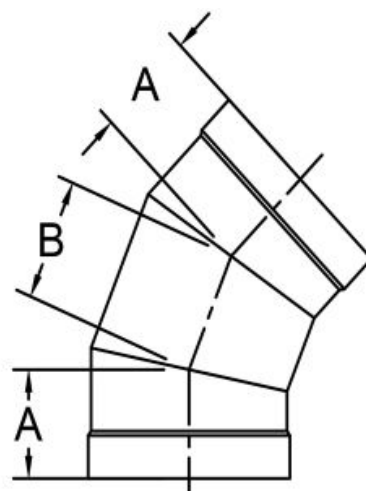




## 45° Elbow

### Belled (3 piece) 1.5x Dia

Part No.	Size	A	B	Approx. Wgt (lbs.)
1834-453-03	3"	3.125"	2.000"	2
1834-453-04	4"	3.250"	2.375"	2
1834-453-05	5"	4.000"	3.312"	3
1834-453-06	6"	3.750"	3.500"	3
1834-453-08	8"	4.375"	4.750"	4
1834-453-10	10"	5.250"	6.000"	6
1834-453-12	12"	5.812"	7.125"	8
1834-453-14	14"	6.187"	8.375"	10
1834-453-16	16"	7.000"	9.500"	13
1834-453-18	18"	7.625"	10.750"	17
1834-453-20	20"	8.750"	12.000"	23
1834-453-22	22"	11.750"	13.000"	31
1834-453-24	24"	9.875"	14.250"	36
1834-453-26	26"	10.000"	15.500"	39
1834-453-28	28"	10.500"	16.500"	44
1834-453-30	30"	11.250"	18.000"	51
1834-453-32	32"	11.750"	19.000"	75
1834-453-34	34"	12.250"	20.000"	82
1834-453-36	36"	13.000"	21.500"	90
1834-453-38	38"	13.250"	22.500"	10
1834-453-40	40"	14.125"	23.000"	109
1834-453-42	42"	14.750"	25.000"	118
1834-453-44	44"	15.375"	26.250"	129





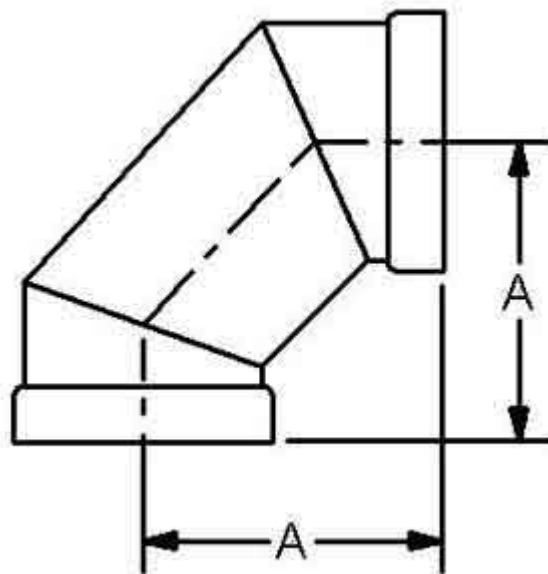
# HARRISON

Harrison Machine and Plastic  Corporation

11614 ST RT 88 • GARRETTSVILLE, OH 44231  
(330) 527-5641 • WWW.HARRISONPLASTIC.COM

## 90° Elbow Belled (3 piece)

Part No.	Size	A	Approx. Wgt (lbs.)
1834-90-02	2"	6.993"	1
1834-90-03	3"	9.328"	2
1834-90-04	4"	9.781"	3
1834-90-05	5"	10.165"	5
1834-90-06	6"	10.693"	4
1834-90-08	8"	11.661"	6
1834-90-10	10"	14.839"	9
1834-90-12	12"	15.788"	12
1834-90-14	14"	16.392"	14
1834-90-16	16"	18.000"	19
1834-90-18	18"	19.064"	24
1834-90-20	20"	21.780"	33
1834-90-22	22"	24.250"	35
1834-90-24	24"	23.892"	49
1834-90-26	26"	28.250"	46
1834-90-28	28"	30.250"	51
1834-90-30	30"	32.250"	60
1834-90-32	32"	34.250"	89
1834-90-34	34"	36.250"	98
1834-90-36	36"	38.250"	109
1834-90-38	38"	40.250"	122
1834-90-40	40"	42.250"	134
1834-90-42	42"	44.250"	146
1834-90-44	44"	46.250"	158
1834-90-60	60"	62.250"	286





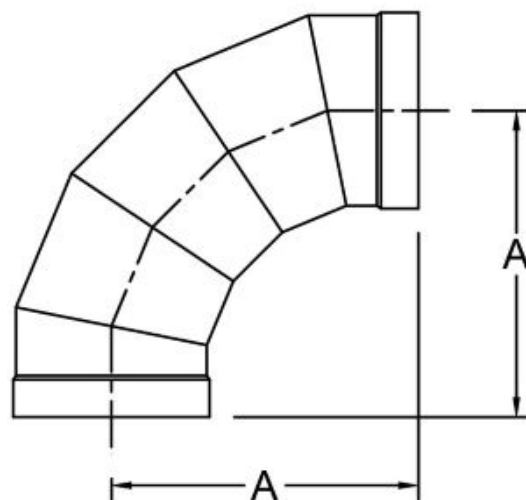
# HARRISON

Harrison Machine and Plastic  Corporation

11614 ST RT 88 • GARRETTSVILLE, OH 44231  
(330) 527-5641 • WWW.HARRISONPLASTIC.COM

## 90° Elbow Belled (5 piece) 1.5x Dia

Part No.	Size	A	Approx. Wgt. (lbs)
1834-905-03	3"	7.308"	2
1834-905-04	4"	8.088"	4
1834-905-05	5"	10.712"	6
1834-905-06	6"	10.979"	4
1834-905-08	8"	13.940"	7
1834-905-10	10"	17.582"	10
1834-905-12	12"	20.160"	13
1834-905-14	14"	23.052"	17
1834-905-16	16"	26.130"	23
1834-905-18	18"	29.272"	31
1834-905-20	20"	32.914"	42
1834-905-22	22"	35.179"	51
1834-905-24	24"	38.570"	66
1834-905-26	26"	41.212"	63
1834-905-28	28"	44.228"	70
1834-905-30	30"	47.496"	83
1834-905-32	32"	50.010"	122
1834-905-34	34"	53.152"	135
1834-905-36	36"	56.294"	152
1834-905-38	38"	59.248"	168
1834-905-40	40"	62.201"	185
1834-905-42	42"	65.092"	203
1834-905-44	44"	68.234"	223
1834-905-60	60"	92.240"	418





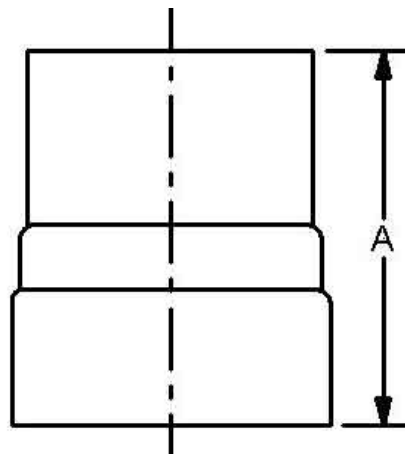
# HARRISON

Harrison Machine and Plastic  Corporation

11614 ST RT 88 • GARRETTSVILLE, OH 44231  
(330) 527-5641 • WWW.HARRISONPLASTIC.COM

## Flex Hose Adapter Hose Spigot x Duct Bell

Part No.	Size	Bell	A	Approx. Wgt (lbs.)
	O.D. (Hose)	Socket (Duct)		
1834-FHA-02	2"	2.375"	5.500"	1
1834-FHA-03	3"	3.500"	6.000"	1
1834-FHA-04	4"	4.500"	7.000"	2
1834-FHA-05	5"	5.563"	7.000"	2
1834-FHA-06	6"	6.625"	7.500"	2
1834-FHA-08	8"	8.625"	9.000"	3
1834-FHA-10	10"	10.750"	9.000"	4
1834-FHA-12	12"	12.750"	9.000"	4
1834-FHA-14	14"	14.000"	8.000"	4
1834-FHA-16	16"	16.000"	8.000"	5
1834-FHA-18	18"	18.000"	8.000"	5





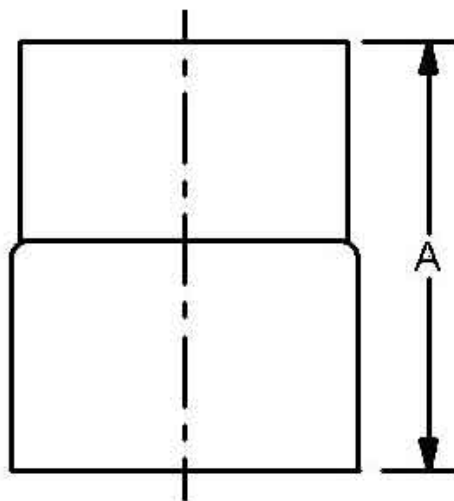
# HARRISON

Harrison Machine and Plastic  Corporation

11614 ST RT 88 • GARRETTSVILLE, OH 44231  
(330) 527-5641 • WWW.HARRISONPLASTIC.COM

## Flex Hose Adapter Hose Spigot x Duct Spigot

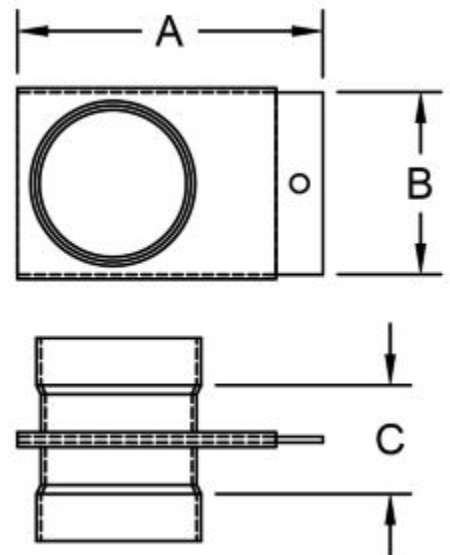
Part No.	Size	Spigot	A	Approx. Wgt (lbs.)
	O.D. (Hose)	P.E. (Duct)		
1833-FHA-02	2"	2.375"	5.500"	0.50
1833-FHA-03	3"	3.500"	6.000"	1
1833-FHA-04	4"	4.500"	7.000"	2
1833-FHA-05	5"	5.563"	7.000"	2
1833-FHA-06	6"	6.625"	7.500"	2
1833-FHA-08	8"	8.625"	9.000"	3
1833-FHA-10	10"	10.750"	9.000"	4
1833-FHA-12	12"	12.750"	9.000"	4
1833-FHA-14	14"	14.000"	8.000"	4
1833-FHA-16	16"	16.000"	8.000"	5
1833-FHA-18	18"	18.000"	8.000"	5





## Blastgate Belled

Part No.	Size	A	B	C	Approx. Wgt (lbs.)
1834-BG-02	2"	6.000"	3.750"	1.000"	1
1834-BG-03	3"	7.000"	4.880"	3.250"	2
1834-BG-04	4"	8.000"	5.560"	3.250"	3
1834-BG-05	5"	11.000"	8.880"	5.000"	3
1834-BG-06	6"	11.000"	8.880"	5.000"	4
1834-BG-08	8"	14.000"	10.250"	4.000"	6
1834-BG-10	10"	17.000"	12.380"	4.500"	8
1834-BG-12	12"	20.000"	13.880"	4.500"	11
1834-BG-14	14"	21.750"	15.500"	4.500"	11
1834-BG-16	16"	23.000"	17.500"	4.250"	15
1834-BG-18	18"	28.000"	19.500"	4.250"	20
1834-BG-20	20"	30.750"	21.500"	5.750"	27
1834-BG-22	22"	34.750"	23.500"	0.625"	46
1834-BG-24	24"	34.000"	25.500"	5.750"	43
1834-BG-26	26"	38.500"	27.500"	0.625"	53
1834-BG-28	28"	40.500"	31.000"	1.250"	61
1834-BG-30	30"	52.000"	36.000"	1.250"	88
1834-BG-32	32"	54.000"	38.000"	1.250"	144
1834-BG-34	34"	56.000"	40.000"	1.250"	152
1834-BG-36	36"	58.000"	42.000"	1.250"	165
1834-BG-42	42"	68.000"	48.000"	1.250"	218

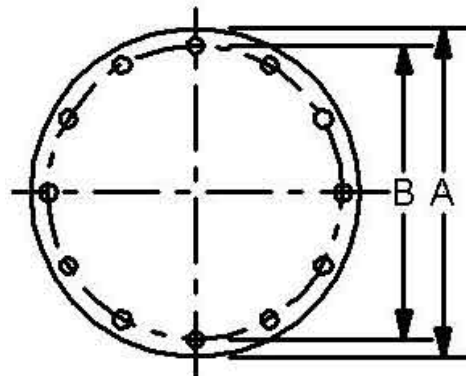




## Blind Flange (Duct Drilling)

Part No.	Size	A	B	# Bolt	Approx. Weight (lbs.)
				Holes	
1834-BF-02	2"	6.000"	5.000"	4	1
1834-BF-03	3"	7.500"	6.000"	4	1
1834-BF-04	4"	8.000"	6.500"	6	1
1834-BF-05	5"	9.000"	7.500"	8	1
1834-BF-06	6"	10.000"	8.500"	8	1
1834-BF-08	8"	12.000"	10.500"	10	2
1834-BF-10	10"	14.000"	12.500"	12	3
1834-BF-12	12"	16.000"	14.500"	14	4
1834-BF-14	14"	18.000"	16.500"	16	4
1834-BF-16	16"	20.000"	18.500"	18	5
1834-BF-18	18"	22.000"	20.500"	20	7
1834-BF-20	20"	24.000"	22.500"	22	8
1834-BF-22	22"	26.000"	24.500"	24	9
1834-BF-24	24"	28.000"	26.500"	24	10
1834-BF-26	26"	30.000"	28.500"	28	18
1834-BF-28	28"	32.000"	30.500"	32	21
1834-BF-30	30"	34.000"	32.500"	32	23
1834-BF-32	32"	36.375"	34.875"	34	27
1834-BF-34	34"	38.375"	36.875"	36	30
1834-BF-36	36"	40.375"	38.875"	38	34
1834-BF-38	38"	42.375"	40.875"	40	49
1834-BF-40	40"	44.375"	42.875"	42	54
1834-BF-42	42"	46.375"	44.875"	44	59
1834-BF-48	48"	52.375"	50.875"	50	76

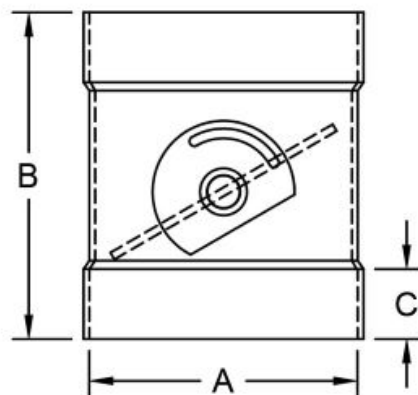
All bolt holes are 5/16" diameter, excluding 42" & 48"





## Butterfly Damper Belled

Part No.	Size	A	B	C	Approx. Wgt (lbs.)
1834-BD-02	2"	2.375"	6.750"	1.500"	1
1834-BD-03	3"	3.500"	8.875"	1.750"	2
1834-BD-04	4"	4.500"	9.500"	1.750"	3
1834-BD-05	5"	5.563"	10.000"	2.000"	4
1834-BD-06	6"	6.625"	9.500"	2.000"	4
1834-BD-08	8"	8.625"	10.500"	2.250"	5
1834-BD-10	10"	10.750"	11.500"	2.500"	6
1834-BD-12	12"	12.750"	12.500"	2.500"	8
1834-BD-14	14"	14.000"	13.500"	2.500"	10
1834-BD-16	16"	16.000"	15.500"	2.500"	11
1834-BD-18	18"	18.000"	17.500"	2.500"	15
1834-BD-20	20"	20.000"	19.500"	3.000"	20
1834-BD-22	22"	22.000"	26.500"	2.250"	34
1834-BD-24	24"	24.000"	23.500"	3.000"	33
1834-BD-26	26"	26.000"	30.500"	2.250"	49
1834-BD-28	28"	28.000"	32.500"	2.250"	55
1834-BD-30	30"	30.000"	34.500"	2.250"	69
1834-BD-32	32"	32.000"	36.500"	2.250"	94
1834-BD-34	34"	34.000"	38.500"	2.250"	103
1834-BD-36	36"	36.000"	40.500"	2.250"	115
1834-BD-48	48"	48.000"	52.500"	2.250"	174



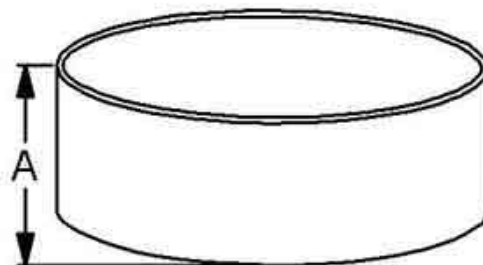


# HARRISON

Harrison Machine and Plastic  Corporation

11614 ST RT 88 • GARRETTSVILLE, OH 44231  
(330) 527-5641 • WWW.HARRISONPLASTIC.COM

<b>Cap (Belled)</b>			
<b>Part No.</b>	<b>Size</b>	<b>A</b>	<b>Approx. Wgt (lbs.)</b>
1834-CA-02	2"	2.000"	1
1834-CA-03	3"	2.000"	1
1834-CA-04	4"	2.000"	1
1834-CA-05	5"	2.000"	1
1834-CA-06	6"	2.000"	1
1834-CA-08	8"	2.000"	2
1834-CA-10	10"	2.000"	2
1834-CA-12	12"	2.000"	3
1834-CA-14	14"	2.000"	3
1834-CA-16	16"	2.000"	3
1834-CA-18	18"	2.000"	4
1834-CA-20	20"	2.000"	5
1834-CA-22	22"	2.000"	10
1834-CA-24	24"	2.000"	13
1834-CA-26	26"	2.000"	17
1834-CA-28	28"	2.000"	20
1834-CA-30	30"	4.500"	23
1834-CA-32	32"	4.500"	27
1834-CA-34	34"	4.500"	30
1834-CA-36	36"	4.500"	34





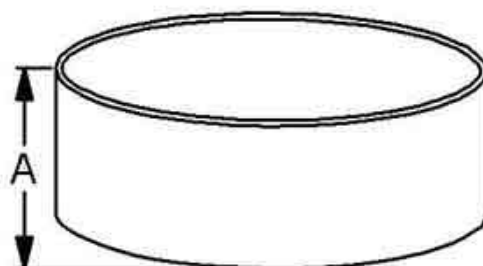
# HARRISON

Harrison Machine and Plastic  Corporation

11614 ST RT 88 • GARRETTSVILLE, OH 44231  
(330) 527-5641 • WWW.HARRISONPLASTIC.COM

## Coupling Sleeved

Part No.	Size	A	Approx. Weight (lbs.)
1834-CP-02	2"	4.000"	1
1834-CP-03	3"	4.000"	1
1834-CP-04	4"	4.000"	1
1834-CP-05	5"	4.500"	2
1834-CP-06	6"	4.500"	1
1834-CP-08	8"	4.500"	2
1834-CP-10	10"	4.500"	2
1834-CP-12	12"	4.500"	2
1834-CP-14	14"	4.500"	3
1834-CP-16	16"	4.500"	3
1834-CP-18	18"	4.500"	3
1834-CP-20	20"	4.500"	4
1834-CP-22	22"	4.500"	4
1834-CP-24	24"	4.500"	5
1834-CP-26	26"	4.500"	4
1834-CP-28	28"	4.500"	4
1834-CP-30	30"	4.500"	5
1834-CP-32	32"	4.500"	7
1834-CP-34	34"	4.500"	7
1834-CP-36	36"	4.500"	7
1834-CP-38	38"	4.500"	8
1834-CP-40	40"	4.500"	8
1834-CP-42	42"	4.500"	8
1834-CP-44	44"	4.500"	9
1834-CP-46	46"	4.500"	9
1834-CP-48	48"	4.500"	10
1834-CP-50	50"	4.500"	10
1834-CP-52	52"	4.500"	11
1834-CP-60	60"	4.500"	18





# HARRISON

Harrison Machine and Plastic  Corporation

11614 ST RT 88 • GARRETTSVILLE, OH 44231  
(330) 527-5641 • WWW.HARRISONPLASTIC.COM

<b>Flexible Coupling</b>			
Part No.	Size	A	Approx. Wgt (lbs.)
1034-FC-02	2"	6"	1
1034-FC-03	3"	6"	1
1034-FC-04	4"	6"	1
1034-FC-05	5"	6"	1
1034-FC-06	6"	6"	2
1034-FC-08	8"	6"	2
1034-FC-10	10"	6"	2
1034-FC-12	12"	6"	2
1034-FC-14	14"	6"	3
1034-FC-16	16"	6"	3
1034-FC-18	18"	6"	3
1034-FC-20	20"	6"	3
1034-FC-22	22"	6"	3
1034-FC-24	24"	6"	4
1034-FC-26	26"	8"	4
1034-FC-28	28"	8"	5
1034-FC-30	30"	8"	5
1034-FC-32	32"	8"	5
1034-FC-34	34"	8"	6
1034-FC-36	36"	8"	6
1034-FC-40	40"	8"	7
1034-FC-42	42"	8"	7
1034-FC-44	44"	8"	7
1034-FC-48	48"	8"	8
1034-FC-52	52"	8"	8





# HARRISON

## Harrison Machine and Plastic Corporation



11614 ST RT 88 • GARRETTSVILLE, OH 44231  
(330) 527-5641 • WWW.HARRISONPLASTIC.COM



### Gasket EPDM

Part No.	Size	OD	ID	Bolt Circle	# Bolt Holes	Approx. Wgt (lbs.)
DG-04	4"	8.000"	4.500"	6.500"	6	1
DG-06	6"	10.000"	6.625"	8.500"	8	1
DG-08	8"	12.000"	8.625"	10.500"	10	1
DG-10	10"	14.000"	10.750"	12.500"	12	1
DG-12	12"	16.000"	12.750"	14.500"	14	1
DG-14	14"	18.000"	14.000"	16.500"	16	1
DG-16	16"	20.000"	16.000"	18.500"	18	1
DG-18	18"	22.000"	18.000"	20.500"	20	2
DG-20	20"	24.000"	20.000"	22.500"	22	2
DG-24	24"	28.000"	24.000"	26.500"	24	2

Contact Sales for VITON gasket material

All bolt holes are 5/16" diameter

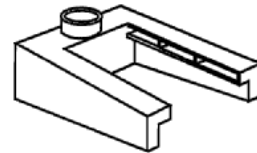
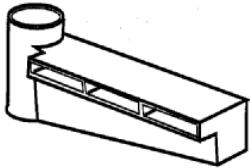


# HARRISON

## Harrison Machine and Plastic Corporation



11614 ST RT 88 • GARRETTSVILLE, OH 44231  
(330) 527-5641 • WWW.HARRISONPLASTIC.COM



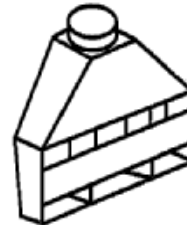
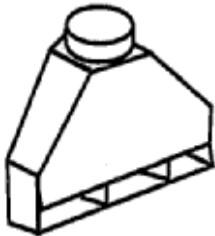
### Single Lateral Hood

Lengths from 24" to 18 ft.

### Double Lateral Hood

Lengths from 24" to 96"

Widths from 18" to 66"



### Single Slot Rear Exhaust Hood

Widths from 18' to 72"

### Double Slot Rear Exhaust Hood

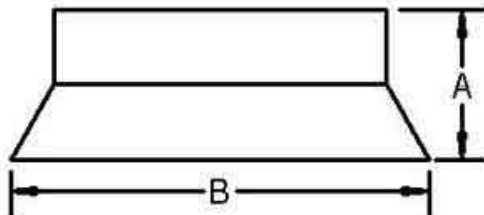
Widths from 18' to 72"



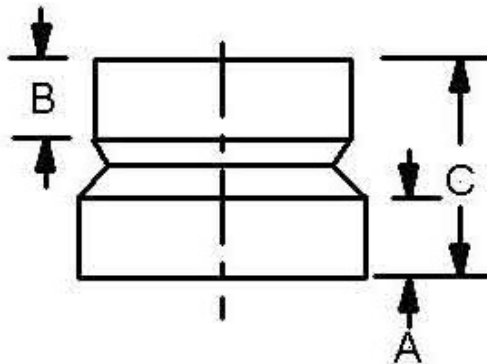
# HARRISON

Harrison Machine and Plastic  Corporation

11614 ST RT 88 • GARRETTSVILLE, OH 44231  
(330) 527-5641 • WWW.HARRISONPLASTIC.COM



<b>Rainskirt Belled</b>				
<b>Part No.</b>	<b>Size</b>	<b>A</b>	<b>B</b>	<b>Approx. Wgt (lbs.)</b>
1834-RS-02	2"	2.250"	4.500"	1
1834-RS-03	3"	2.625"	5.500"	1
1834-RS-04	4"	4.000"	6.875"	1
1834-RS-05	5"	4.000"	8.000"	2
1834-RS-06	6"	4.000"	8.875"	1
1834-RS-08	8"	4.000"	11.375"	2
1834-RS-10	10"	4.000"	13.625"	2
1834-RS-12	12"	4.000"	16.250"	2
1834-RS-14	14"	4.000"	17.000"	3
1834-RS-16	16"	4.000"	19.000"	3
1834-RS-18	18"	6.000"	22.000"	3
1834-RS-20	20"	6.000"	23.625"	5
1834-RS-24	24"	8.000"	27.000"	9



## Reducer Coupling One Step (Bell x Bell)

Part No.	Size	A	B	C	Approx. Wgt (lbs.)
1834-RC-0403	4" x 3"	1.750"	1.750"	7.000"	1
1834-RC-0604	6" x 4"	2.000"	1.750"	7.000"	2
1834-RC-0806	8" x 6"	2.250"	2.000"	8.000"	2
1834-RC-1008	10" x 8"	2.500"	2.000"	8.000"	3
1834-RC-1210	12" x 10"	2.500"	2.500"	8.000"	4
1834-RC-1412	14" x 12"	2.500"	2.500"	7.250"	4
1834-RC-1614	16" x 14"	2.500"	2.500"	9.000"	5
1834-RC-1816	18" x 16"	2.500"	2.500"	8.250"	5

## Two Step (Bell x Bell)

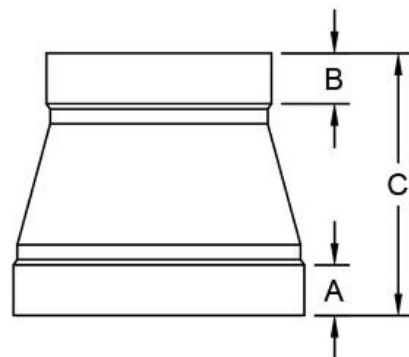
1834-RC-0804	8" x 4"	2.250"	1.750"	12.500"	4
1834-RC-1006	10" x 6"	2.500"	2.000"	12.750"	5
1834-RC-1208	12" x 8"	2.500"	2.250"	13.250"	7
1834-RC-1410	14" x 10"	2.500"	2.500"	12.500"	7
1834-RC-1612	16" x 12"	2.500"	2.500"	13.500"	9
1834-RC-1814	18" x 14"	2.500"	2.500"	14.500"	10

Rolled reducer couplings also available



## Rolled Reducer Coupling Smooth Flow Design (Bell x Bell)

Part No.	Size	A	B	C	Approx. Wgt (lbs.)
1834-RCR-0302	3 x 2"	1.75	1.50	10.50	2
1834-RCR-0402	4 x 2"	2.00	1.50	9.50	2
1834-RCR-0403	4 x 3"	2.00	1.75	12.50	2
1834-RCR-0502	5 x 2"	3.00	1.50	15.50	2
1834-RCR-0503	5 x 3"	3.00	1.75	13.50	2
1834-RCR-0504	5 x 4"	3.00	2.00	18.50	4
1834-RCR-0602	6 x 2"	2.00	1.50	9.75	2
1834-RCR-0603	6 x 3"	2.00	1.75	15.75	3
1834-RCR-0604	6 x 4"	2.00	2.00	12.75	3
1834-RCR-0605	6 x 5"	2.00	3.00	11.75	3
1834-RCR-0802	8 x 2"	2.25	1.50	14.75	3
1834-RCR-0803	8 x 3"	2.25	1.75	12.75	3
1834-RCR-0804	8 x 4"	2.25	2.00	12.75	4
1834-RCR-0805	8 x 5"	2.25	3.00	12.75	4
1834-RCR-0806	8 x 6"	2.25	2.00	13.00	5
1834-RCR-1002	10 x 2"	2.50	1.50	17.00	4
1834-RCR-1003	10 x 3"	2.50	1.75	18.00	5
1834-RCR-1004	10 x 4"	2.50	2.00	13.00	5
1834-RCR-1005	10 x 5"	2.50	3.00	15.00	5
1834-RCR-1006	10 x 6"	2.50	2.00	14.25	5
1834-RCR-1008	10 x 8"	2.50	2.25	13.25	6
1834-RCR-1202	12 x 2"	2.50	1.50	19.00	6
1834-RCR-1203	12 x 3"	2.50	1.75	20.00	6
1834-RCR-1204	12 x 4"	2.50	2.00	14.00	5
1834-RCR-1205	12 x 5"	2.50	3.00	19.00	6
1834-RCR-1206	12 x 6"	2.50	2.00	12.25	5
1834-RCR-1208	12 x 8"	2.50	2.25	13.25	6
1834-RCR-1210	12 x 10"	2.50	2.50	13.50	6
1834-RCR-1402	14 x 2"	2.50	1.50	23.00	7
1834-RCR-1403	14 x 3"	2.50	1.75	22.00	7
1834-RCR-1404	14 x 4"	2.50	2.00	16.00	7
1834-RCR-1405	14 x 5"	2.50	3.00	21.00	8
1834-RCR-1406	14 x 6"	2.50	2.00	20.25	9
1834-RCR-1408	14 x 8"	2.50	2.25	18.25	9
1834-RCR-1410	14 x 10"	2.50	2.50	18.50	9
1834-RCR-1412	14 x 12"	2.50	2.50	13.50	7
1834-RCR-1604	16 x 4"	2.50	2.00	24.00	10
1834-RCR-1605	16 x 5"	2.50	3.00	23.00	10
1834-RCR-1606	16 x 6"	2.50	2.00	16.25	8
1834-RCR-1608	16 x 8"	2.50	2.25	18.25	10
1834-RCR-1610	16 x 10"	2.50	2.50	18.50	10
1834-RCR-1612	16 x 12"	2.50	2.50	13.50	8
1834-RCR-1614	16 x 14"	2.50	2.50	13.50	9



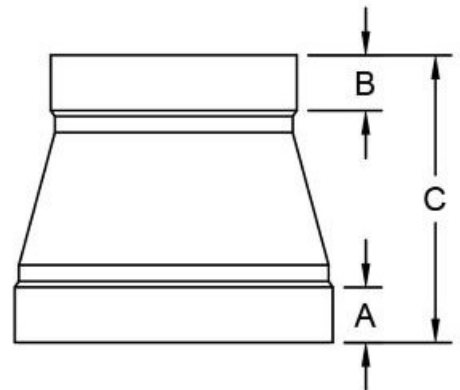


Harrison Machine and Plastic Corporation

11614 ST RT 88 • GARRETTSVILLE, OH 44231  
(330) 527-5641 • WWW.HARRISONPLASTIC.COM

**Rolled Reducer Coupling  
Smooth Flow Design (Bell x Bell)**

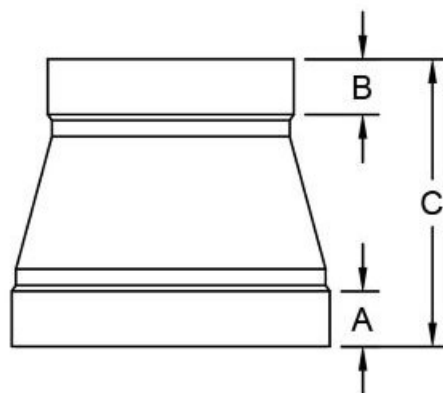
Part No.	Size	A	B	C	Approx. Wgt (lbs.)
1834-RCR-1806	18 x 6"	2.50	2.00	24.25	11
1834-RCR-1808	18 x 8"	2.50	2.25	24.25	12
1834-RCR-1810	18 x 10"	2.50	2.50	20.50	11
1834-RCR-1812	18 x 12"	2.50	2.50	20.50	11
1834-RCR-1814	18 x 14"	2.50	2.50	18.50	11
1834-RCR-1816	18 x 16"	2.50	2.50	13.50	9
1834-RCR-2008	20 x 8"	3.00	2.25	25.75	16
1834-RCR-2010	20 x 10"	3.00	2.50	20.00	12
1834-RCR-2012	20 x 12"	3.00	2.50	16.00	10
1834-RCR-2014	20 x 14"	3.00	2.50	22.00	14
1834-RCR-2016	20 x 16"	3.00	2.50	22.00	14
1834-RCR-2018	20 x 18"	3.00	2.50	15.00	10
1834-RCR-2208	22 x 8"	2.25	2.25	26.50	15
1834-RCR-2210	22 x 10"	2.25	2.50	24.75	15
1834-RCR-2212	22 x 12"	2.25	2.50	20.75	14
1834-RCR-2214	22 x 14"	2.25	2.50	16.75	12
1834-RCR-2216	22 x 16"	2.25	2.50	20.75	14
1834-RCR-2218	22 x 18"	2.25	2.50	18.75	13
1834-RCR-2220	22 x 20"	2.25	3.00	22.25	16
1834-RCR-2408	24 x 8"	3.00	2.25	22.75	15
1834-RCR-2410	24 x 10"	3.00	2.50	22.00	15
1834-RCR-2412	24 x 12"	3.00	2.50	22.00	15
1834-RCR-2414	24 x 14"	3.00	2.50	20.00	15
1834-RCR-2416	24 x 16"	3.00	2.50	22.00	16
1834-RCR-2418	24 x 18"	3.00	2.50	20.00	15
1834-RCR-2420	24 x 20"	3.00	3.00	16.50	13
1834-RCR-2422	24 x 22"	3.00	2.25	14.25	12
1834-RCR-2618	26 x 18"	2.25	2.50	13.75	11
1834-RCR-2620	26 x 20"	2.25	3.00	17.25	14
1834-RCR-2622	26 x 22"	2.25	2.25	15.75	13
1834-RCR-2624	26 x 24"	2.25	3.00	14.25	13
1834-RCR-2818	28 x 18"	2.25	2.50	18.75	15
1834-RCR-2820	28 x 20"	2.25	3.00	22.25	19
1834-RCR-2822	28 x 22"	2.25	2.25	14.00	12





## Rolled Reducer Coupling Smooth Flow Design (Bell x Bell)

Part No.	Size	A	B	C	Approx. Wgt (lbs.)
1834-RCR-2824	28 x 24"	2.25	3.00	22.25	19
1834-RCR-2826	28 x 26"	2.25	2.25	13.00	12
1834-RCR-3010	30 x 10"	2.25	2.50	24.75	19
1834-RCR-3012	30 x 12"	2.25	2.50	28.75	22
1834-RCR-3018	30 x 18"	2.25	2.50	20.75	18
1834-RCR-3020	30 x 20"	2.25	3.00	22.25	20
1834-RCR-3022	30 x 22"	2.25	2.25	17.00	15
1834-RCR-3024	30 x 24"	2.25	3.00	22.25	20
1834-RCR-3026	30 x 26"	2.25	2.25	14.00	14
1834-RCR-3028	30 x 28"	2.25	2.25	19.00	19
1834-RCR-3220	32 x 20"	2.25	3.00	22.25	26
1834-RCR-3224	32 x 24"	2.25	3.00	20.25	25
1834-RCR-3228	32 x 28"	2.25	2.25	15.00	19
1834-RCR-3230	32 x 30"	2.25	2.25	17.00	23
1834-RCR-3620	36 x 20"	2.25	3.00	32.25	40
1834-RCR-3624	36 x 24"	2.25	3.00	16.25	22
1834-RCR-3628	36 x 28"	2.25	2.25	21.00	28
1834-RCR-3630	36 x 30"	2.25	2.25	17.00	24
1834-RCR-3632	36 x 32"	2.25	2.25	14.00	22
1834-RCR-4032	40 x 32"	2.25	2.25	17.00	29





# HARRISON

Harrison Machine and Plastic Corporation



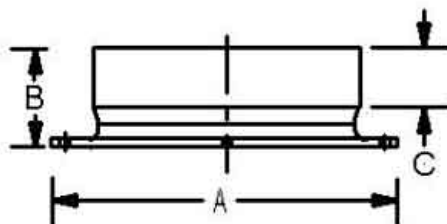
11614 ST RT 88 • GARRETTSVILLE, OH 44231  
(330) 527-5641 • WWW.HARRISONPLASTIC.COM



## Roof Flashing

EPDM

Part No.	Size
RF-05	4" - 8-1/4"
RF-06	4-3/4" - 8-1/4"
RF-07	5-1/2" - 11-1/2"
RF-08	6-3/4" - 13-1/2"
RF-09	9-1/2" - 20-1/2"
RF-10	12" - 28-1/2"



## Flange Socket/Belled

Part No.	Size	A	B	C	Bolt Circle	# Bolt Holes	Approx. Wgt (lbs.)
1834-SF-02	2"	6.000"	2.750"	1.500"	5.000"	4	1
1834-SF-03	3"	6.625"	3.250"	1.750"	5.625"	4	1
1834-SF-04	4"	8.000"	3.625"	2.000"	6.500"	6	1
1834-SF-05	5"	9.000"	4.000"	2.000"	7.500"	8	1
1834-SF-06	6"	10.000"	4.000"	2.000"	8.500"	8	1
1834-SF-08	8"	12.000"	4.000"	2.250"	10.500"	10	2
1834-SF-10	10"	14.000"	4.000"	2.500"	12.500"	12	2
1834-SF-12	12"	16.000"	4.000"	2.500"	14.500"	14	3
1834-SF-14	14"	18.000"	4.000"	2.500"	16.500"	16	3
1834-SF-16	16"	20.000"	4.000"	2.500"	18.500"	18	4
1834-SF-18	18"	22.000"	4.000"	2.500"	20.500"	20	4
1834-SF-20	20"	24.000"	4.000"	3.000"	22.500"	22	6
1834-SF-22	22"	26.000"	4.500"	4.500"	24.500"	24	5
1834-SF-24	24"	28.000"	4.000"	3.000"	26.500"	24	8
1834-SF-26	26"	30.000"	4.500"	4.500"	28.500"	28	6
1834-SF-28	28"	32.000"	4.500"	4.500"	30.500"	32	7
1834-SF-30	30"	34.000"	4.500"	4.500"	32.500"	32	7
1834-SF-32	32"	36.375"	4.500"	4.500"	34.875"	34	9
1834-SF-34	34"	38.375"	4.500"	4.500"	36.875"	36	10
1834-SF-36	36"	40.375"	4.500"	4.500"	38.875"	38	11
1834-SF-38	38"	42.375"	4.500"	4.500"	40.875"	40	11
1834-SF-40	40"	44.375"	4.500"	4.500"	42.875"	42	11
1834-SF-42	42"	46.375"	4.500"	4.500"	44.875"	44	12
1834-SF-48	48"	52.375"	4.500"	4.500"	50.875"	50	14

All bolt holes are 5/16" diameter, excluding 42" & 48"

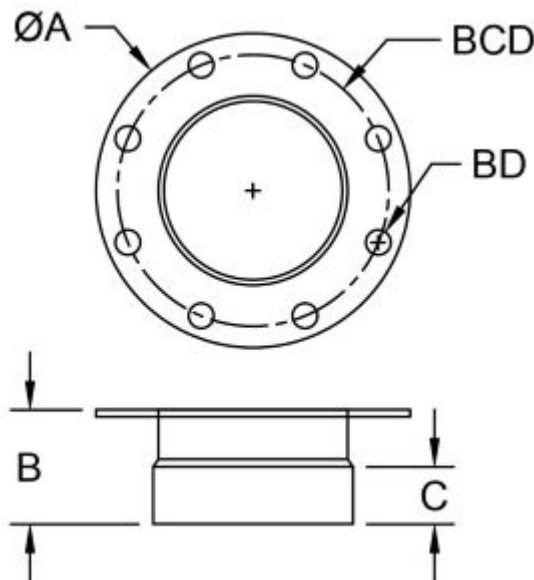


# HARRISON

Harrison Machine and Plastic Corporation



11614 ST RT 88 • GARRETTSVILLE, OH 44231  
(330) 527-5641 • WWW.HARRISONPLASTIC.COM



## 150# Drilled Flange Socket/Belled

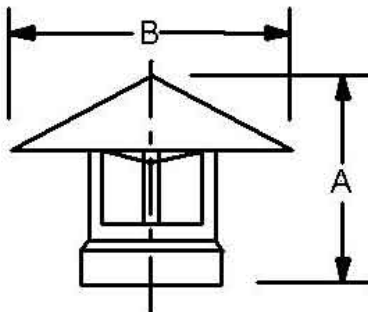
Part No.	Size	A	B	C	Bolt Circle	# Bolt Holes	Bolt Hole Dia.	Approx. Wgt (lbs.)
1834-SF1-03	3"	7.500"	3.750"	1.875"	6.000"	4	0.750"	1
1834-SF1-04	4"	9.000"	3.750"	2.000"	7.500"	8	0.750"	1
1834-SF1-06	6"	11.000"	4.000"	2.000"	9.500"	8	0.875"	1
1834-SF1-08	8"	13.500"	4.000"	2.250"	11.750"	8	0.875"	2
1834-SF1-10	10"	16.000"	4.000"	2.500"	14.250"	12	1.000"	2
1834-SF1-12	12"	19.000"	4.000"	2.500"	17.000"	12	1.000"	3
1834-SF1-14	14"	21.000"	4.000"	2.500"	18.750"	12	1.125"	3
1834-SF1-16	16"	23.500"	4.000"	2.500"	21.250"	16	1.125"	4
1834-SF1-18	18"	25.000"	4.000"	2.500"	22.750"	16	1.250"	4
1834-SF1-20	20"	27.500"	5.750"	3.000"	25.000"	20	1.250"	6



# HARRISON

Harrison Machine and Plastic  Corporation

11614 ST RT 88 • GARRETTSVILLE, OH 44231  
(330) 527-5641 • WWW.HARRISONPLASTIC.COM



## Raincap 'Style A' Belled

Part No.	Size	A	B	Approx. Wgt (lbs.)
1834-WCA-02	2"	8.000"	4.000"	1
1834-WCA-03	3"	8.500"	6.000"	2
1834-WCA-04	4"	9.000"	8.000"	2
1834-WCA-05	5"	9.500"	10.000"	3
1834-WCA-06	6"	10.500"	12.000"	3
1834-WCA-08	8"	12.250"	16.000"	5
1834-WCA-10	10"	13.500"	20.000"	7
1834-WCA-12	12"	15.250"	23.000"	10
1834-WCA-14	14"	16.000"	28.000"	13
1834-WCA-16	16"	16.750"	32.000"	16
1834-WCA-18	18"	17.500"	36.000"	21
1834-WCA-20	20"	18.500"	40.000"	26
1834-WCA-24	24"	19.000"	44.000"	33



# HARRISON

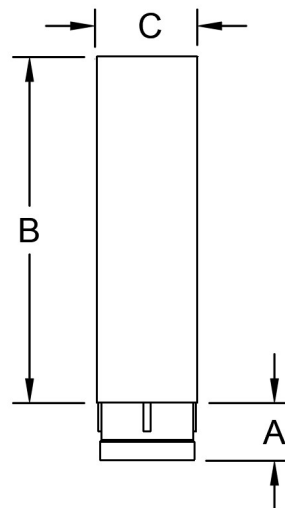
Harrison Machine and Plastic  Corporation

11614 ST RT 88 • GARRETTSVILLE, OH 44231  
(330) 527-5641 • WWW.HARRISONPLASTIC.COM

## Raincap 'Style B' Belled

Part No.	Size	A	B	C	Approx. Wgt (lbs.)
1834-WCB-02	2"	6.000"	8.000"	3.500"	2
1834-WCB-03	3"	6.000"	12.000"	4.500"	4
1834-WCB-04	4"	6.000"	16.000"	6.625"	6
1834-WCB-05	5"	8.000"	18.000"	7.375"	9
1834-WCB-06	6"	8.000"	24.000"	8.625"	10
1834-WCB-08	8"	8.000"	32.000"	10.750"	15
1834-WCB-10	10"	8.000"	40.000"	12.750"	22
1834-WCB-12	12"	8.000"	48.000"	14.000"	28
1834-WCB-14	14"	8.000"	56.000"	16.000"	36
1834-WCB-16	16"	8.000"	64.000"	18.000"	48
1834-WCB-18	18"	10.000"	72.000"	20.000"	65
1834-WCB-20	20"	10.000"	80.000"	22.000"	71
1834-WCB-24	24"	12.000"	96.000"	26.000"	102

Zero pressure loss feature





# HARRISON

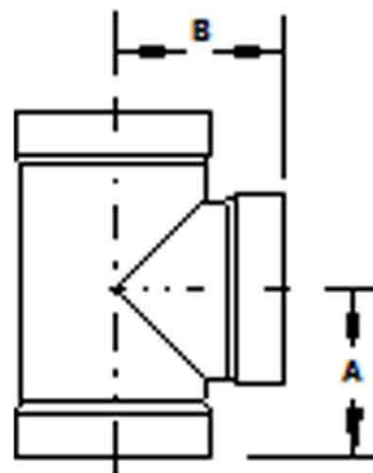
Harrison Machine and Plastic Corporation



11614 ST RT 88 • GARRETTSVILLE, OH 44231  
(330) 527-5641 • WWW.HARRISONPLASTIC.COM

## Tee Belled

Part No.	Size	A	B	Approx. Wgt (lbs.)
1834-T-02	2 x 2 x 2	4.00	4.00	1
1834-T-03	3 x 3 x 3	5.75	5.75	2
1834-T-0302	3 x 3 x 2	4.94	4.97	2
1834-T-04	4 x 4 x 4	6.00	6.00	3
1834-T-0402	4 x 4 x 2	4.94	5.47	2
1834-T-0403	4 x 4 x 3	5.50	5.81	3
1834-T-05	5 x 5 x 5	6.75	6.75	5
1834-T-0601	6 x 6 x 1	4.88	4.81	2
1834-T-0602	6 x 6 x 2	5.19	6.65	2
1834-T-0603	6 x 6 x 3	5.75	6.87	3
1834-T-0604	6 x 6 x 4"	6.25	7.15	4
1834-T-06	6 x 6 x 6"	7.31	7.31	4
1834-T-08	8 x 8 x 8"	8.56	8.56	6
1834-T-0803	8 x 8 x 3	6.00	7.87	3
1834-T-0804	8 x 8 x 4"	6.50	8.15	5
1834-T-0805	8 x 8 x 5	7.03	9.18	6
1834-T-0806	8 x 8 x 6"	7.56	8.08	5
1834-T-10	10 x 10 x 10"	9.88	9.88	11
1834-T-1002	10 x 10 x 2	5.69	8.71	5
1834-T-1003	10 x 10 x 3	6.25	8.93	6
1834-T-1004	10 x 10 x 4	6.75	9.14	6
1834-T-1006	10 x 10 x 6"	7.81	9.14	7
1834-T-1008	10 x 10 x 8"	8.81	9.39	9
1834-T-12	12 x 12 x 12"	10.88	10.88	12
1834-T-1202	12 x 12 x 2	5.69	9.71	5
1834-T-1203	12 x 12 x 3	6.25	9.93	5
1834-T-1204	12 x 12 x 4	6.75	10.14	7
1834-T-1205	12 x 12 x 5	7.25	11.24	8
1834-T-1206	12 x 12 x 6"	7.81	10.14	8



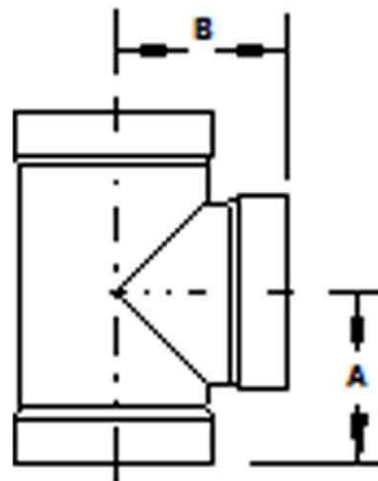


Harrison Machine and Plastic Corporation

11614 ST RT 88 • GARRETTSVILLE, OH 44231  
(330) 527-5641 • WWW.HARRISONPLASTIC.COM

## Tee Belled

Part No.	Size	A	B	Approx. Wgt (lbs.)
1834-T-1208	12 x 12 x 8"	8.81	10.39	10
1834-T-1210	12 x 12 x 10"	9.88	10.63	12
1834-T-14	14 x 14 x 14"	11.50	11.50	16
1834-T-1402	14 x 14 x 2	5.69	10.34	5
1834-T-1403	14 x 14 x 3	6.25	10.56	5
1834-T-1404	14 x 14 x 4	6.75	10.77	7
1834-T-1406	14 x 14 x 6	7.81	10.75	8
1834-T-1408	14 x 14 x 8	8.81	11.02	10
1834-T-1410	14 x 14 x 10"	9.88	11.27	12
1834-T-1412	14 x 14 x 12"	10.88	11.27	15
1834-T-16	16 x 16 x 16"	12.50	12.25	20
1834-T-1601	16 x 16 x 1	10.75	9.50	11
1834-T-1602	16 x 16 x 2	5.69	11.34	11
1834-T-1603	16 x 16 x 3	6.25	11.56	12
1834-T-1604	16 x 16 x 4	6.75	11.77	8
1834-T-1605	16 x 16 x 5	7.25	12.87	10
1834-T-1606	16 x 16 x 6	7.81	11.77	9
1834-T-1608	16 x 16 x 8	8.81	12.02	12
1834-T-1610	16 x 16 x 10	9.88	12.02	15
1834-T-1612	16 x 16 x 12"	10.88	12.27	16
1834-T-1614	16 x 16 x 14"	11.50	12.27	17
1834-T-18	18 x 18 x 18"	13.75	13.75	27
1834-T-1803	18 x 18 x 3	6.50	12.56	9
1834-T-1804	18 x 18 x 4	7.00	12.77	10
1834-T-1806	18 x 18 x 6	8.06	12.77	11
1834-T-1808	18 x 18 x 8	9.06	13.02	12
1834-T-1810	18 x 18 x 10	10.13	13.27	15
1834-T-1812	18 x 18 x 12	11.13	13.27	17
1834-T-1814	18 x 18 x 14"	11.75	13.27	20
1834-T-1816	18 x 18 x 16"	12.75	13.27	22
1834-T-20	20 x 20 x 20"	15.25	15.25	35
1834-T-2003	20 x 20 x 3	7.00	13.56	11
1834-T-2004	20 x 20 x 4	7.50	13.77	11



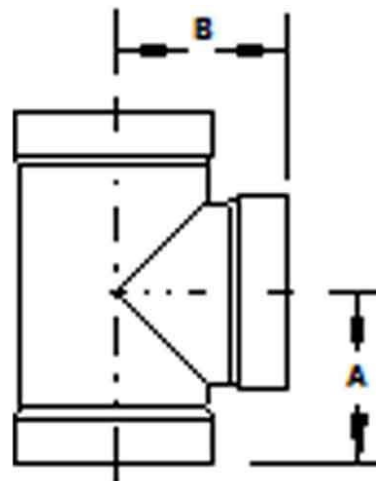


Harrison Machine and Plastic Corporation

11614 ST RT 88 • GARRETTSVILLE, OH 44231  
(330) 527-5641 • WWW.HARRISONPLASTIC.COM

## Tee Belled

Part No.	Size	A	B	Approx. Wgt (lbs.)
1834-T-2006	20 x 20 x 6	8.56	13.77	15
1834-T-2008	20 x 20 x 8	9.56	14.02	17
1834-T-2010	20 x 20 x 10	10.63	14.27	19
1834-T-2012	20 x 20 x 12	11.63	14.27	22
1834-T-2014	20 x 20 x 14	12.25	14.27	22
1834-T-2016	20 x 20 x 16	13.25	14.27	24
1834-T-2018	20 x 20 x 18	14.25	14.27	28
1834-T-22	22 x 22 x 22"	17.00	17.00	44
1834-T-2204	22 x 22 x 4	16.50	14.77	27
1834-T-2206	22 x 22 x 6	18.63	14.77	28
1834-T-2208	22 x 22 x 8	20.63	15.02	28
1834-T-2210	22 x 22 x 10"	11.38	15.27	29
1834-T-2212	22 x 22 x 12"	12.38	15.27	26
1834-T-2214	22 x 22 x 14"	13.00	15.27	27
1834-T-2216	22 x 22 x 16"	14.00	15.27	29
1834-T-2218	22 x 22 x 18"	15.00	15.27	33
1834-T-2220	22 x 22 x 20"	16.00	15.77	38
1834-T-24	24 x 24 x 24"	17.25	17.25	55
1834-T-2404	24 x 24 x 4	7.50	15.77	16
1834-T-2406	24 x 24 x 6	8.56	15.77	19
1834-T-2408	24 x 24 x 8	9.56	16.02	22
1834-T-2410	24 x 24 x 10	10.63	16.27	24
1834-T-2412	24 x 24 x 12	11.63	16.27	27
1834-T-2414	24 x 24 x 14	12.25	16.27	29
1834-T-2416	24 x 24 x 16	13.25	16.27	31
1834-T-2418	24 x 24 x 18"	14.25	16.27	37
1834-T-2420	24 x 24 x 20	15.25	16.77	38
1834-T-2422	24 x 24 x 22	16.25	18.00	50
1834-T-26	26 x 26 x 26"	19.00	19.00	56
1834-T-28	28 x 28 x 28"	20.00	20.00	62
1834-T-30	30 x 30 x 30"	21.00	21.00	71
1834-T-3020	30 x 30 x 20"	16.00	19.77	45
1834-T-32	32 x 32 x 32"	22.00	22.00	105
1834-T-34	34 x 34 x 34"	23.00	23.00	120
1834-T-36	36 x 36 x 36"	24.00	24.00	125

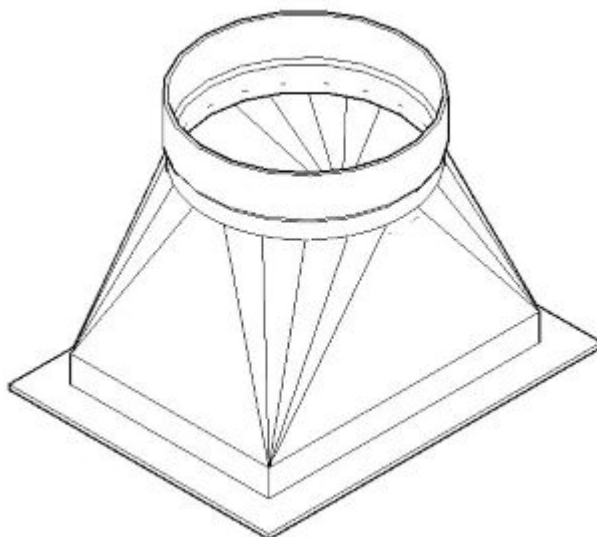




# HARRISON

Harrison Machine and Plastic  Corporation

11614 ST RT 88 • GARRETTSVILLE, OH 44231  
(330) 527-5641 • WWW.HARRISONPLASTIC.COM



## Transitions

Transitions (square to round, rectangular to round) with socket or flanged connections available per customer specifications. Transitions to dissimilar materials also available. Please contact us for pricing.



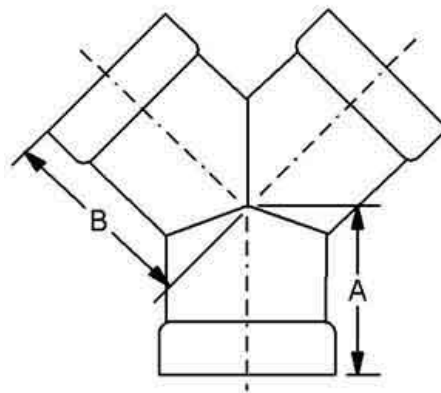
# HARRISON

Harrison Machine and Plastic  Corporation

11614 ST RT 88 • GARRETTSVILLE, OH 44231  
(330) 527-5641 • WWW.HARRISONPLASTIC.COM

## True Wye Belled

Part No.	Size	A	B	Approx. Wgt (lbs.)
1834-TY-02	2"	2.750"	2.375"	1
1834-TY-03	3"	3.250"	5.000"	2
1834-TY-04	4"	4.500"	5.750"	3
1834-TY-05	5"	4.875"	6.500"	5
1834-TY-06	6"	4.750"	6.500"	3
1834-TY-08	8"	5.562"	8.125"	6
1834-TY-10	10"	6.000"	9.250"	9
1834-TY-12	12"	6.437"	10.000"	11
1834-TY-14	14"	6.625"	10.750"	13
1834-TY-16	16"	7.062"	11.750"	16
1834-TY-18	18"	8.500"	13.875"	23
1834-TY-20	20"	9.000"	14.750"	30
1834-TY-24	24"	10.750"	17.750"	49

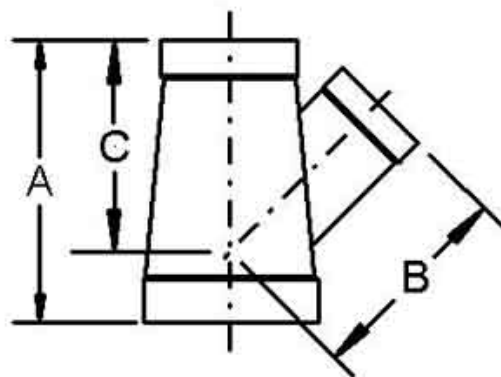
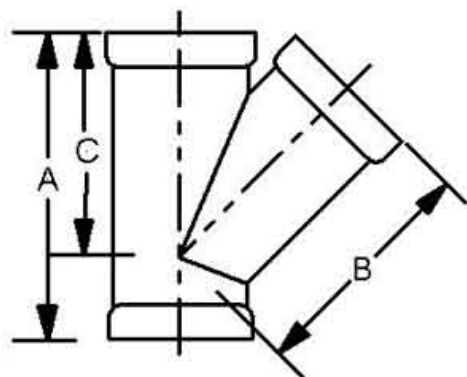




## 45° Wye

## Belled

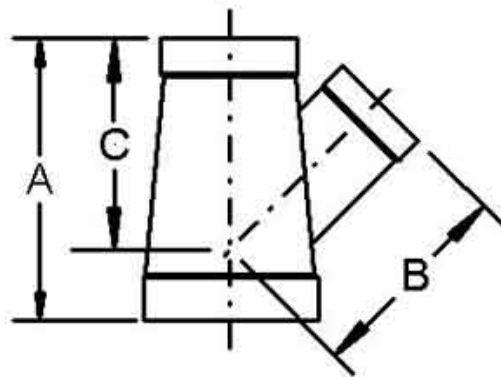
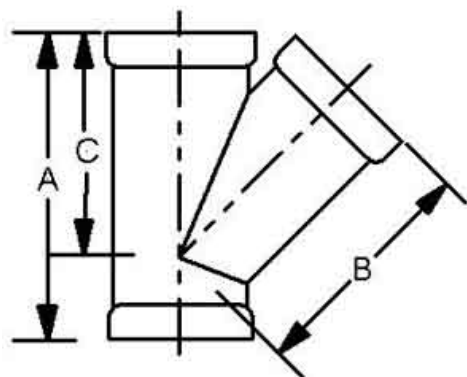
Part No.	Size	A	B	C	Approx. Wgt (lbs.)
1834-Y-0604	6 X 6 X 4"	15.500"	10.863"	11.863"	5
1834-Y-06	6 X 6 X 6"	18.375"	13.250"	13.250"	6
1834-Y-0804	8 X 8 X 4"	16.000"	12.454"	13.113"	6
1834-Y-0806	8 X 8 X 6"	18.875"	13.433"	14.486"	7
1834-Y-08	8 X 8 X 8"	21.750"	15.875"	15.875"	9
1834-Y-1006	10 X 10 X 6"	19.875"	15.458"	16.298"	9
1834-Y-1008	10 X 10 X 8"	22.875"	16.579"	17.889"	11
1834-Y-10	10 X 10 X 10"	25.875"	19.312"	19.312"	13
1834-Y-1208	12 X 12 X 8"	22.875"	17.993"	18.889"	13
1834-Y-1210	12 X 12 X 10"	25.875"	19.052"	20.382"	15
1834-Y-12	12 X 12 X 12"	28.750"	21.687"	21.687"	17
1834-Y-1410	14 X 14 X 10"	25.750"	19.847"	20.882"	16
1834-Y-1412	14 X 14 X 12"	28.625"	20.880"	22.342"	19
1834-Y-14	14 X 14 X 14"	30.375"	23.125"	23.125"	20
1834-Y-1612	16 X 16 X 12"	28.625"	22.295"	23.342"	21
1834-Y-1614	16 X 16 X 14"	30.375"	22.949"	24.267"	23
1834-Y-16	16 X 16 X 16"	33.250"	25.625"	25.625"	25
1834-Y-1814	18 X 18 X 14"	30.750"	24.358"	25.260"	26
1834-Y-1816	18 X 18 X 16"	33.625"	25.619"	27.044"	30
1834-Y-18	18 X 18 X 18"	36.500"	28.250"	28.250"	34
1834-Y-20	20 X 20 X 20"	40.250"	31.125"	31.125"	45
1834-Y-22	22 X 22 X 22"	44.125"	33.562"	33.562"	64
1834-Y-2210	22 X 22 X 10"	28.250"	26.000"	25.625"	31
1834-Y-2212	22 X 22 X 12"	31.000"	27.000"	26.985"	35





## 45° Wye Belled

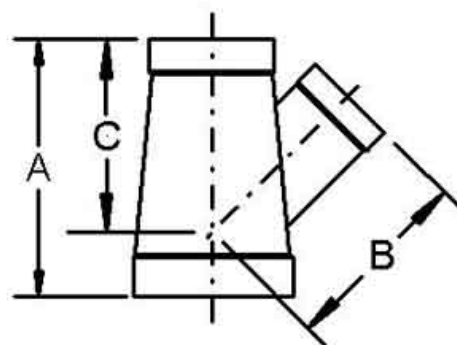
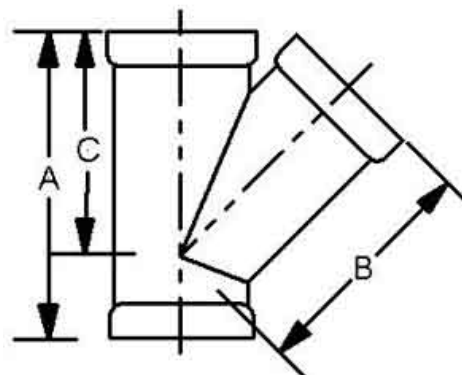
Part No.	Size	A	B	C	Approx. Wgt (lbs.)
1834-Y-221208	22 X 12 X 08"	22.250"	18.252"	19.250"	16
1834-Y-221210	22 X 12 X 10"	28.250"	21.391"	23.689"	21
1834-Y-221212	22 X 12 X 12"	28.250"	20.391"	22.275"	22
1834-Y-2214	22 X 22 X 14"	32.875"	27.500"	27.976"	38
1834-Y-221408	22 X 14 X 08"	21.250"	18.312"	18.960"	16
1834-Y-221410	22 X 14 X 10"	25.250"	20.407"	21.672"	20
1834-Y-221412	22 X 14 X 12"	27.250"	20.763"	22.195"	22
1834-Y-221414	22 X 14 X 14"	29.250"	21.583"	23.335"	25
1834-Y-2216	22 X 22 X 16"	35.750"	28.750"	29.437"	42
1834-Y-221608	22 X 16 X 08"	21.250"	19.282"	19.082"	16
1834-Y-221610	22 X 16 X 10"	29.250"	23.957"	25.693"	24
1834-Y-221612	22 X 16 X 12"	29.250"	22.957"	24.278"	25
1834-Y-221614	22 X 16 X 14"	29.250"	22.332"	23.395"	25
1834-Y-221616	22 X 16 X 16"	33.250"	24.182"	26.012"	30
1834-Y-2218	22 X 22 X 18"	38.625"	29.750"	30.897"	48
1834-Y-221810	22 X 18 X 10"	25.500"	22.034"	21.974"	22
1834-Y-221812	22 X 18 X 12"	29.500"	23.863"	24.560"	26
1834-Y-221814	22 X 18 X 14"	31.500"	24.675"	25.709"	30
1834-Y-221816	22 X 18 X 16"	33.500"	25.027"	26.256"	32
1834-Y-221818	22 X 18 X 18"	37.500"	26.940"	28.911"	39
1834-Y-2220	22 X 22 X 20"	41.500"	30.750"	32.358"	54
1834-Y-222010	22 X 20 X 10"	27.750"	23.687"	24.279"	26
1834-Y-222012	22 X 20 X 12"	29.750"	24.832"	24.899"	29
1834-Y-222014	22 X 20 X 14"	31.750"	25.630"	26.027"	31
1834-Y-222016	22 X 20 X 16"	35.750"	27.463"	28.620"	37
1834-Y-222018	22 X 20 X 18"	37.750"	27.884"	29.216"	42
1834-Y-222020	22 X 20 X 20"	41.750"	29.716"	31.805"	49
1834-Y-2418	24 X 24 X 18"	37.500"	31.229"	31.915"	49
1834-Y-24	24 X 24 X 24"	46.000"	36.000"	36.000"	71
1834-Y-26	26 X 26 X 26"	52.500"	41.125"	41.125"	76





## 45° Wye Belled

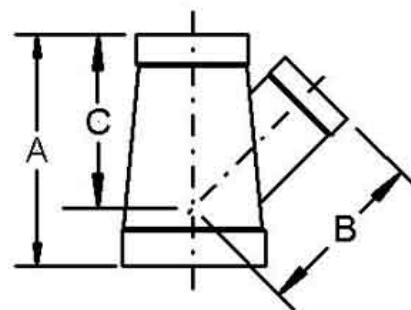
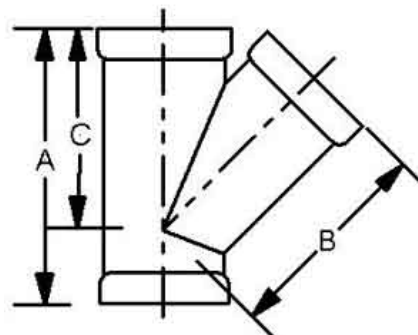
Part No.	Size	A	B	C	Approx. Wgt (lbs.)
1834-Y-2608	26 X 26 X 8"	26.000"	28.391"	26.901"	31
1834-Y-2610	26 X 26 X 10"	28.000"	28.743"	27.399"	35
1834-Y-2612	26 X 26 X 12"	32.000"	30.571"	29.984"	40
1834-Y-2614	26 X 26 X 14"	34.000"	31.361"	31.101"	43
1834-Y-2616	26 X 26 X 16"	36.000"	31.775"	31.686"	47
1834-Y-2618	26 X 26 X 18"	38.000"	32.189"	32.272"	52
1834-Y-261810	26 X 18 X 10"	30.250"	26.213"	27.884"	27
1834-Y-261812	26 X 18 X 12"	30.250"	25.213"	26.469"	28
1834-Y-261814	26 X 18 X 14"	30.250"	24.588"	25.585"	28
1834-Y-261816	26 X 18 X 16"	34.250"	26.416"	28.171"	34
1834-Y-261818	26 X 18 X 18"	36.250"	26.858"	28.796"	36
1834-Y-2620	26 X 26 X 20"	42.000"	34.017"	34.858"	60
1834-Y-262010	26 X 20 X 10"	27.750"	25.185"	25.398"	25
1834-Y-262012	26 X 20 X 12"	31.750"	27.045"	28.028"	31
1834-Y-262014	26 X 20 X 14"	31.750"	26.420"	27.145"	31
1834-Y-262016	26 X 20 X 16"	35.750"	28.271"	29.762"	37
1834-Y-262018	26 X 20 X 18"	39.750"	30.099"	32.348"	44
1834-Y-262020	26 X 20 X 20"	41.750"	30.530"	32.957"	49
1834-Y-2622	26 X 26 X 22"	46.000"	35.842"	37.438"	67
1834-Y-262210	26 X 22 X 10"	27.250"	25.570"	24.974"	25
1834-Y-262212	26 X 22 X 12"	31.250"	27.289"	27.593"	31
1834-Y-262214	26 X 22 X 14"	33.250"	28.227"	28.731"	32
1834-Y-262216	26 X 22 X 16"	35.250"	28.634"	29.307"	36
1834-Y-262218	26 X 22 X 18"	39.250"	30.469"	31.903"	43
1834-Y-262220	26 X 22 X 20"	41.250"	30.895"	32.505"	49
1834-Y-262222	26 X 22 X 22"	45.250"	32.728"	35.097"	52
1834-Y-2624	26 X 26 X 24"	50.000"	37.674"	40.029"	80
1834-Y-262410	26 X 24 X 10"	29.750"	28.148"	27.141"	30
1834-Y-262412	26 X 24 X 12"	32.750"	29.282"	29.161"	34
1834-Y-262414	26 X 24 X 14"	35.750"	30.781"	31.281"	39
1834-Y-262416	26 X 24 X 16"	37.750"	31.201"	31.875"	43
1834-Y-262418	26 X 24 X 18"	39.750"	31.619"	32.466"	47





## 45° Wye Belled

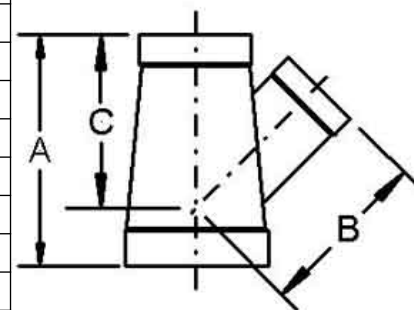
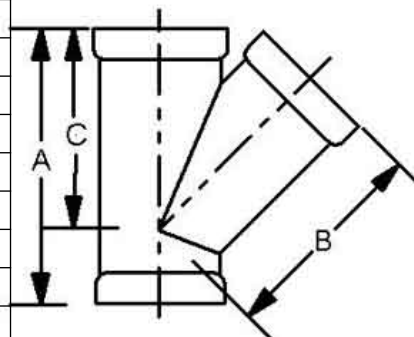
Part No.	Size	A	B	C	Approx. Wgt (lbs.)
1834-Y-262420	26 X 24 X 20"	41.750"	32.038"	33.059"	53
1834-Y-262422	26 X 24 X 22"	45.750"	33.867"	35.645"	60
1834-Y-262424	26 X 24 X 24"	49.750"	35.699"	38.236"	73
1834-Y-28	28 X 28 X 28"	52.500"	40.701"	40.701"	88
1834-Y-2806	28 X 28 X 6"	24.000"	29.391"	27.316"	29
1834-Y-2810	28 X 28 X 10"	28.000"	30.157"	28.399"	36
1834-Y-2812	28 X 28 X 12"	32.000"	31.968"	30.984"	42
1834-Y-2814	28 X 28 X 14"	34.000"	32.775"	32.101"	44
1834-Y-2816	28 X 28 X 16"	36.000"	33.189"	32.686"	48
1834-Y-2818	28 X 28 X 18"	38.000"	33.603"	33.272"	53
1834-Y-2820	28 X 28 X 20"	42.000"	35.432"	35.858"	62
1834-Y-282012	28 X 20 X 12"	32.000"	27.607"	28.823"	36
1834-Y-282014	28 X 20 X 14"	32.000"	27.085"	28.085"	36
1834-Y-282016	28 X 20 X 16"	36.000"	28.941"	30.710"	36
1834-Y-282018	28 X 20 X 18"	38.000"	29.366"	31.311"	41
1834-Y-282020	28 X 20 X 20"	40.000"	29.790"	31.911"	49
1834-Y-2822	28 X 28 X 22"	46.000"	37.260"	28.444"	70
1834-Y-282214	28 X 22 X 14"	33.250"	28.885"	29.662"	34
1834-Y-282216	28 X 22 X 16"	35.250"	29.309"	30.262"	37
1834-Y-282218	28 X 22 X 18"	39.250"	30.469"	31.903"	45
1834-Y-282220	28 X 22 X 20"	41.250"	31.575"	33.466"	50
1834-Y-282222	28 X 22 X 22"	45.250"	33.414"	36.068"	57
1834-Y-2824	28 X 28 X 24"	50.000"	39.588"	41.029"	83
1834-Y-282414	28 X 24 X 14"	35.750"	31.453"	32.231"	40
1834-Y-282416	28 X 24 X 16"	37.750"	31.873"	32.826"	43
1834-Y-282418	28 X 24 X 18"	39.750"	32.293"	33.419"	48
1834-Y-282420	28 X 24 X 20"	41.750"	32.712"	34.011"	54
1834-Y-282422	28 X 24 X 22"	45.750"	34.548"	36.608"	60
1834-Y-282424	28 X 24 X 24"	49.750"	36.383"	39.203"	73
1834-Y-2826	28 X 28 X 26"	52.000"	39.503"	41.615"	82





## 45° Wye Belled

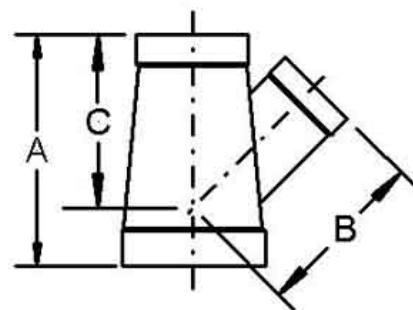
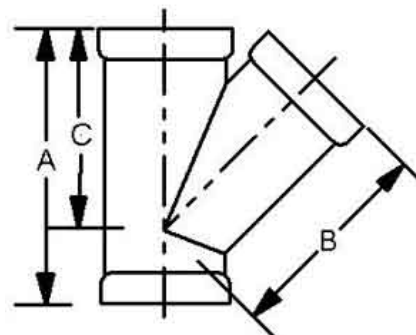
Part No.	Size	A	B	C	Approx. Wgt (lbs.)
1834-Y-282610	28 X 26 X 10"	29.250"	39.172"	28.068"	30
1834-Y-282618	28 X 26 X 18"	39.250"	32.638"	32.969"	48
1834-Y-282620	28 x 26 x 20"	41.250"	33.055"	33.559"	54
1834-Y-282622	28 x 26 x 22"	47.250"	37.715"	38.150"	63
1834-Y-282624	28 x 26 x 24"	49.250"	38.133"	38.740"	73
1834-Y-30	30 x 30 x 30"	55.750"	43.537"	45.537"	108
1834-Y-3010	30 x 30 x 10"	28.000"	31.571"	29.399"	39
1834-Y-3012	30 x 30 x 12"	32.000"	33.400"	31.984"	46
1834-Y-3014	30 x 30 x 14"	34.000"	34.189"	33.101"	49
1834-Y-3016	30 x 30 x 16"	36.000"	34.603"	33.686"	53
1834-Y-3018	30 x 30 x 18"	38.000"	35.017"	34.272"	59
1834-Y-3020	30 x 30 x 20"	42.000"	36.846"	36.858"	67
1834-Y-3022	30 x 30 x 22"	46.000"	38.674"	39.444"	75
1834-Y-302214	30 x 22 x 14"	33.250"	29.553"	30.606"	35
1834-Y-302216	30 x 22 x 16"	35.250"	29.980"	31.210"	39
1834-Y-302218	30 x 22 x 18"	39.250"	31.144"	32.857"	46
1834-Y-302222	30 x 22 x 22"	45.250"	34.094"	37.029"	59
1834-Y-3024	30 x 30 x 24"	50.000"	40.503"	42.029"	88
1834-Y-302416	30 x 24 x 16"	37.750"	32.544"	33.774"	44
1834-Y-302418	30 x 24 x 18"	39.750"	32.966"	34.371"	49
1834-Y-302420	30 x 24 x 20"	41.750"	33.294"	34.966"	55
1834-Y-302422	30 x 24 x 22"	45.750"	35.226"	37.568"	63
1834-Y-302424	30 x 24 x 24"	49.750"	37.064"	40.166"	74
1834-Y-3026	30 x 30 x 26"	52.000"	40.917"	42.615"	89
1834-Y-302618	30 x 26 x 18"	39.250"	33.309"	33.919"	48
1834-Y-302620	30 x 26 x 20"	41.250"	33.728"	34.512"	54
1834-Y-302622	30 x 26 x 22"	47.250"	36.982"	39.113"	65
1834-Y-302624	30 x 26 x 24"	49.250"	37.399"	39.703"	73
1834-Y-302626	30 x 26 x 26"	53.250"	39.227"	42.288"	77
1834-Y-3028	30 x 30 x 28"	52.500"	42.115"	41.701"	92





## 45° Wye Belled

Part No.	Size	A	B	C	Approx. Wgt (lbs.)
1834-Y-302820	30 x 28 x 20"	41.250"	34.740"	34.512"	56
1834-Y-302822	30 x 28 x 22"	47.250"	37.658"	39.113"	66
1834-Y-302824	30 x 28 x 24"	49.250"	38.077"	39.703"	76
1834-Y-32	32 x 32 x 32"	64.500"	48.250"	48.250"	149
1834-Y-3210	32 x 32 x 10"	28.000"	32.986"	30.399"	40
1834-Y-3212	32 x 32 x 12"	32.000"	34.814"	32.984"	60
1834-Y-3214	32 x 32 x 14"	34.000"	34.101"	35.603"	65
1834-Y-3216	32 x 32 x 16"	36.000"	36.017"	34.686"	70
1834-Y-3218	32 x 32 x 18"	38.000"	36.432"	35.272"	76
1834-Y-3220	32 x 32 x 20"	42.000"	38.260"	37.858"	86
1834-Y-3222	32 x 32 x 22"	46.000"	40.089"	40.444"	96
1834-Y-322220	30 x 22 x 20"	41.250"	32.251"	34.423"	59
1834-Y-3224	32 x 32 x 24"	50.000"	41.917"	43.029"	111
1834-Y-3226	32 x 32 x 26"	52.000"	42.331"	43.615"	112
1834-Y-3228	32 x 32 x 28"	52.500"	43.529"	42.701"	116
1834-Y-3230	32 x 32 x 30"	55.750"	45.998"	48.787"	128
1834-Y-3410	34 x 34 x 10"	28.000"	34.400"	31.399"	55
1834-Y-3412	34 x 34 x 12"	32.000"	36.228"	33.984"	57
1834-Y-3414	34 x 34 x 14"	34.000"	37.017"	35.101"	67
1834-Y-3416	34 x 34 x 16"	36.000"	37.432"	35.686"	72
1834-Y-3418	34 x 34 x 18"	38.000"	37.846"	36.272"	79
1834-Y-3420	34 x 34 x 20"	42.000"	39.674"	38.858"	89
1834-Y-342020	34 x 20 x 20"	37.750"	30.423"	32.806"	57
1834-Y-3422	34 x 34 x 22"	46.000"	41.503"	41.444"	99
1834-Y-3424	34 x 34 x 24"	50.000"	41.917"	43.029"	115
1834-Y-3426	34 x 34 x 26"	52.000"	43.745"	44.615"	116
1834-Y-3428	34 x 34 x 28"	52.500"	44.944"	43.701"	120
1834-Y-342818	34 x 28 x 18"	37.250"	33.982"	33.871"	59
1834-Y-3430	34 x 34 x 30"	60.000"	47.402"	49.787"	138
1834-Y-3432	34 x 34 x 32"	62.000"	46.404"	50.375"	164
1834-Y-3616	36 x 36 x 16"	36.000"	38.802"	36.686"	75
1834-Y-3816	38 x 38 x 16"	36.000"	40.216"	37.686"	82
1834-Y-4016	40 x 40 x 16"	36.000"	41.630"	38.686"	85
1834-Y-4212	42 x 42 x 12"	32.000"	47.542"	41.984"	75
1834-Y-4216	42 x 42 x 16"	36.000"	43.044"	39.686"	86





# HARRISON

Harrison Machine and Plastic  Corporation

11614 ST RT 88 • GARRETTSVILLE, OH 44231  
(330) 527-5641 • WWW.HARRISONPLASTIC.COM

**Note: The dimensions shown in this catalog are essentially shown as "Center to End" dimensions, which apply to both belled end as well as plain end fittings. To determine "take-out" dimensions for belled end fittings, refer to the bell depths to make appropriate calculations. Dimensions are for reference only and subject to change without notice. If specific dimensions are required consult factory.**

**\*\*Please consult our sales department for items not shown**

<b>Bell Dimensions</b>	
<b>Size</b>	<b>Socket Depth</b>
2"	1.50"
3"	1.75"
4"	2.00"
5"	2.00"
6"	2.00"
8"	2.25"
10"	2.50"
12"	2.50"
14"	2.50"
16"	2.50"
18"	2.50"
20"	3.00"
22"	2.25"
24"	3.00"
24"	2.25"
26"	2.25"
28"	2.25"
30"	2.25"
32"	2.25"
34"	2.25"
36"	2.25"
38"	2.25"
40"	2.25"
42"	2.25"
44"	2.25"
46"	2.25"
48"	2.25"
50"	2.25"
52"	2.25"
60"	2.25"