

Harrison Machine & Plastic Corporation



HARRISON SUPERDUCT® FUME EXHAUST SYSTEMS

PVC DUCT FITTINGS & PVC DUCT PIPE

LIST PRICE CATALOG

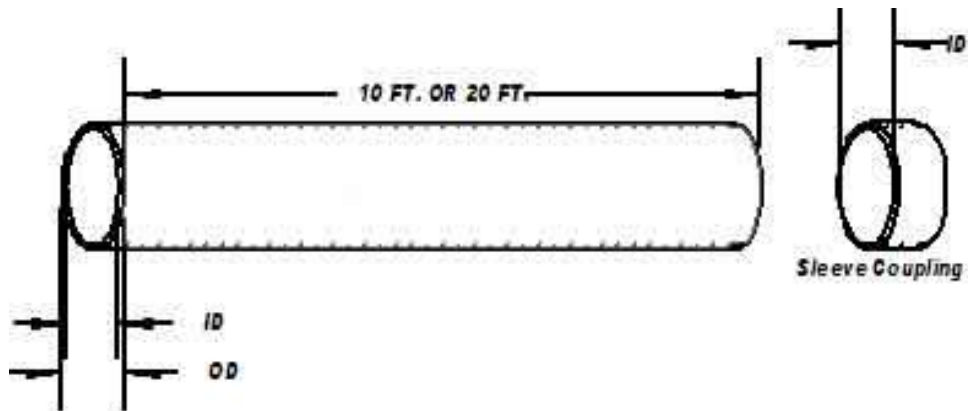
EFFECTIVE 1-15-11



HARRISON MACHINE & PLASTIC CORPORATION

11614 ST. RT. 88 | GARRETTSVILLE, OH

Ph. 330.527.5641 | Fax 330.527.5640



HARRISON SUPERDUCT®

PVC DUCT PIPE

| Part No. | Size | O.D. | Wall | Std. Length | List Price Per | List Price Per |
|------------|-----------------|---------|--------|------------------|----------------|----------------|
| | | | | | Ft. | Ft. |
| | | | | | 10 ft. | 20 ft. |
| | Extruded | | | | | |
| 1033-PP-02 | 2" | 2.375" | 0.154" | 10 ft. or 20 ft. | \$3.06 | \$2.91 |
| 1033-PP-03 | 3" | 3.500" | 0.216" | 10 ft. or 20 ft. | \$4.82 | \$4.58 |
| 1033-PP-04 | 4" | 4.500" | 0.237" | 10 ft. or 20 ft. | \$6.87 | \$6.53 |
| 1033-PP-05 | 5" | 5.563" | 0.214" | 10 ft. or 20 ft. | \$11.67 | \$11.09 |
| 1033-PP-06 | 6" | 6.625" | 0.187" | 10 ft. or 20 ft. | \$11.91 | \$11.31 |
| 1033-PP-07 | 7" | 7.375" | 0.187" | 10 ft. or 20 ft. | \$19.16 | \$18.20 |
| 1033-PP-08 | 8" | 8.625" | 0.187" | 10 ft. or 20 ft. | \$17.20 | \$16.36 |
| 1033-PP-09 | 9" | 9.375" | 0.187" | 10 ft. or 20 ft. | \$24.49 | \$23.27 |
| 1033-PP-10 | 10" | 10.750" | 0.187" | 10 ft. or 20 ft. | \$21.82 | \$20.73 |
| 1033-PP-11 | 11" | 11.375" | 0.187" | 10 ft. or 20 ft. | \$28.51 | \$27.09 |
| 1033-PP-12 | 12" | 12.750" | 0.187" | 10 ft. or 20 ft. | \$25.44 | \$24.18 |
| 1033-PP-14 | 14" | 14.000" | 0.187" | 10 ft. or 20 ft. | \$31.82 | \$30.24 |
| 1033-PP-16 | 16" | 16.000" | 0.187" | 10 ft. or 20 ft. | \$36.87 | \$35.02 |
| 1033-PP-18 | 18" | 18.000" | 0.187" | 10 ft. or 20 ft. | \$50.38 | \$47.87 |
| 1033-PP-20 | 20" | 20.000" | 0.219" | 10 ft. or 20 ft. | \$60.78 | \$57.73 |
| 1033-PP-24 | 24" | 24.000" | 0.250" | 10 ft. or 20 ft. | \$83.33 | \$79.16 |

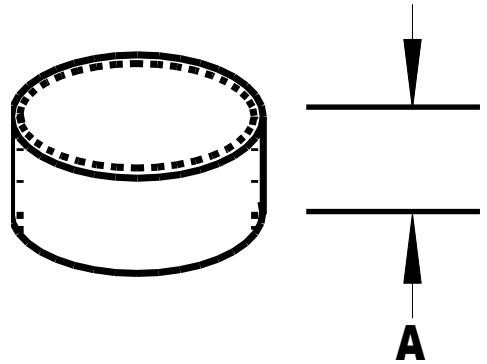
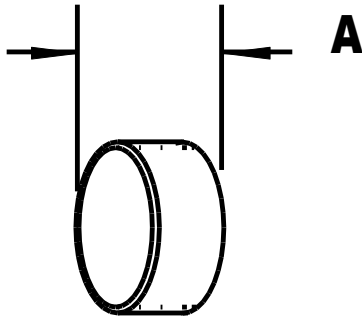
Duct diameters thru 60" are available. Contact factory for details.



HARRISON MACHINE & PLASTIC CORPORATION

11614 ST. RT. 88 | GARRETTSVILLE, OH

Ph. 330.527.5641 | Fax 330.527.5640



| Coupling | | |
|-----------------|------|------------|
| Sleeved | | |
| Part No. | Size | List price |
| 1034-CP-02 | 2" | \$7.60 |
| 1034-CP-03 | 3" | \$13.69 |
| 1034-CP-04 | 4" | \$18.69 |
| 1034-CP-05 | 5" | \$24.80 |
| 1034-CP-06 | 6" | \$31.62 |
| 1034-CP-07 | 7" | \$39.44 |
| 1034-CP-08 | 8" | \$41.18 |
| 1034-CP-09 | 9" | \$45.44 |
| 1034-CP-10 | 10" | \$47.56 |
| 1034-CP-11 | 11" | \$50.56 |
| 1034-CP-12 | 12" | \$51.84 |
| 1034-CP-14 | 14" | \$66.33 |
| 1034-CP-16 | 16" | \$70.31 |
| 1034-CP-18 | 18" | \$91.67 |
| 1034-CP-20 | 20" | \$110.11 |
| 1034-CP-24 | 24" | \$138.22 |

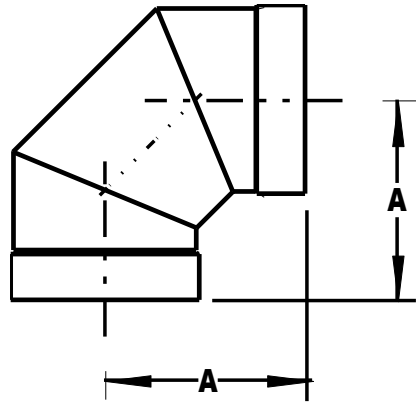
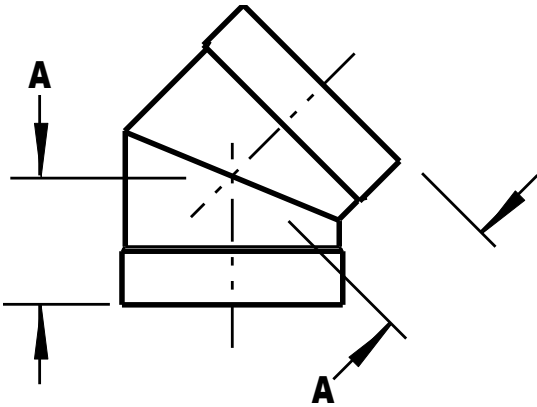
| Cap | | |
|---------------|------|------------|
| Belled | | |
| Part No. | Size | List price |
| 1034-CA-03 | 3" | \$50.11 |
| 1034-CA-04 | 4" | \$69.11 |
| 1034-CA-06 | 6" | \$78.22 |
| 1034-CA-08 | 8" | \$81.67 |
| 1034-CA-10 | 10" | \$88.76 |
| 1034-CA-11 | 11" | \$89.33 |
| 1034-CA-12 | 12" | \$91.33 |
| 1034-CA-14 | 14" | \$147.67 |
| 1034-CA-16 | 16" | \$162.78 |
| 1034-CA-18 | 18" | \$185.00 |
| 1034-CA-20 | 20" | \$271.56 |
| 1034-CA-24 | 24" | \$288.67 |



HARRISON MACHINE & PLASTIC CORPORATION

11614 ST. RT. 88 | GARRETTSVILLE, OH

Ph. 330.527.5641 | Fax 330.527.5640



| 45° Elbow | | |
|-------------------------|-------------|-------------------|
| Belled (2 piece) | | |
| Part No. | Size | List Price |
| 1034-45-02 | 2" | \$71.13 |
| 1034-45-03 | 3" | \$77.24 |
| 1034-45-04 | 4" | \$89.31 |
| 1034-45-05 | 5" | \$95.27 |
| 1034-45-06 | 6" | \$101.22 |
| 1034-45-07 | 7" | \$118.33 |
| 1034-45-08 | 8" | \$127.11 |
| 1034-45-09 | 9" | \$131.78 |
| 1034-45-10 | 10" | \$138.33 |
| 1034-45-11 | 11" | \$161.42 |
| 1034-45-12 | 12" | \$169.44 |
| 1034-45-14 | 14" | \$200.56 |
| 1034-45-16 | 16" | \$241.22 |
| 1034-45-18 | 18" | \$360.56 |
| 1034-45-20 | 20" | \$501.22 |
| 1034-45-24 | 24" | \$631.78 |

| 90° Elbow | | |
|-------------------------|-------------|-------------------|
| Belled (3 piece) | | |
| Part No. | Size | List Price |
| 1034-90-02 | 2" | \$87.11 |
| 1034-90-03 | 3" | \$110.00 |
| 1034-90-04 | 4" | \$118.78 |
| 1034-90-05 | 5" | \$128.33 |
| 1034-90-06 | 6" | \$145.00 |
| 1034-90-07 | 7" | \$160.56 |
| 1034-90-08 | 8" | \$162.67 |
| 1034-90-09 | 9" | \$183.44 |
| 1034-90-10 | 10" | \$197.67 |
| 1034-90-11 | 11" | \$205.22 |
| 1034-90-12 | 12" | \$224.89 |
| 1034-90-14 | 14" | \$259.00 |
| 1034-90-16 | 16" | \$338.22 |
| 1034-90-18 | 18" | \$469.33 |
| 1034-90-20 | 20" | \$702.22 |
| 1034-90-24 | 24" | \$862.78 |



HARRISON MACHINE & PLASTIC CORPORATION

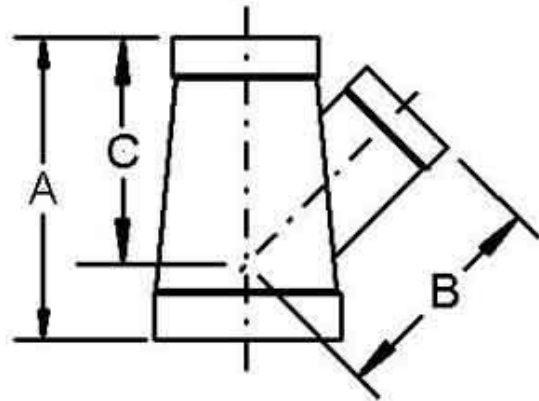
11614 ST. RT. 88 | GARRETTSVILLE, OH

Ph. 330.527.5641 | Fax 330.527.5640

45° Wye (Reducing)

Belled

| Part No. | Size | List Price |
|---------------|-----------------|------------|
| 1034-Y-0403 | 4" X 4" X 3" | \$161.89 |
| 1034-Y-040302 | 4" X 3" X 2" | \$186.92 |
| 1034-Y-050403 | 5" X 4" X 3" | \$220.50 |
| 1034-Y-0604 | 6" X 6" X 4" | \$241.68 |
| 1034-Y-060403 | 6" X 4" X 3" | \$211.11 |
| 1034-Y-070605 | 7" X 6" X 5" | \$252.19 |
| 1034-Y-0804 | 8" X 8" X 4" | \$294.11 |
| 1034-Y-0806 | 8" X 8" X 6" | \$270.54 |
| 1034-Y-080604 | 8" X 6" X 4" | \$269.50 |
| 1034-Y-090706 | 9" X 7" X 6" | \$285.78 |
| 1034-Y-1006 | 10" X 10" X 6" | \$314.73 |
| 1034-Y-1008 | 10" X 10" X 8" | \$356.11 |
| 1034-Y-100806 | 10" X 8" X 6" | \$350.69 |
| 1034-Y-110908 | 11" X 9" X 8" | \$477.78 |
| 1034-Y-1208 | 12" X 12" X 8" | \$396.67 |
| 1034-Y-1210 | 12" X 12" X 10" | \$449.11 |
| 1034-Y-121008 | 12" X 10" X 8" | \$411.11 |
| 1034-Y-1410 | 14" X 14" X 10" | \$495.56 |
| 1034-Y-1412 | 14" X 14" X 12" | \$573.56 |
| 1034-Y-141210 | 14" X 12" X 10" | \$506.67 |
| 1034-Y-1612 | 16" X 16" X 12" | \$590.00 |
| 1034-Y-1614 | 16" X 16" X 14" | \$663.44 |
| 1034-Y-161412 | 16" X 14" X 12" | \$582.22 |
| 1034-Y-1814 | 18" X 18" X 14" | \$788.89 |
| 1034-Y-181614 | 18" X 16" X 14" | \$694.89 |
| 1034-Y-1816 | 18" X 18" X 16" | \$875.48 |
| 1034-Y-2016 | 20" X 20" X 16" | \$1,000.44 |
| 1034-Y-2018 | 20" X 20" X 18" | \$1,113.89 |
| 1034-Y-201816 | 20" X 18" X 16" | \$1,016.10 |
| 1034-Y-2420 | 24" X 24" X 20" | \$1,389.67 |
| 1034-Y-242018 | 24" X 20" X 18" | \$1,406.38 |





HARRISON MACHINE & PLASTIC CORPORATION

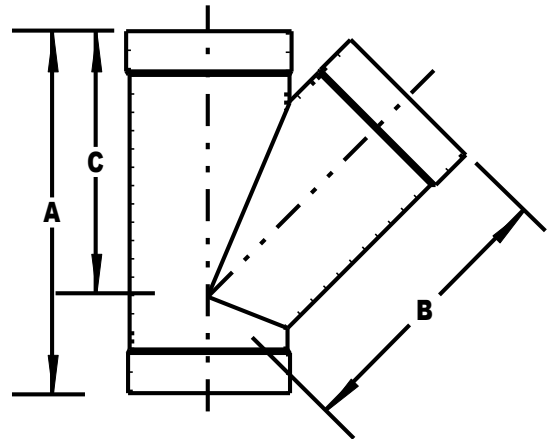
11614 ST. RT. 88 | GARRETTSVILLE, OH

Ph. 330.527.5641 | Fax 330.527.5640

45° Wye

Belled

| Part No. | Size | List Price |
|-----------|-----------------|------------|
| 1034-Y-03 | 3" X 3" X 3" | \$133.46 |
| 1034-Y-04 | 4" X 4" X 4" | \$160.12 |
| 1034-Y-06 | 6" X 6" X 6" | \$246.22 |
| 1034-Y-07 | 7" X 7" X 7" | \$290.32 |
| 1034-Y-08 | 8" X 8" X 8" | \$294.12 |
| 1034-Y-09 | 9" X 9" X 9" | \$340.47 |
| 1034-Y-10 | 10" X 10" X 10" | \$369.33 |
| 1034-Y-11 | 11" X 11" X 11" | \$472.40 |
| 1034-Y-12 | 12" X 12" X 12" | \$489.43 |
| 1034-Y-14 | 14" X 14" X 14" | \$566.94 |
| 1034-Y-16 | 16" X 16" X 16" | \$671.80 |
| 1034-Y-18 | 18" X 18" X 18" | \$939.33 |
| 1034-Y-20 | 20" X 20" X 20" | \$1,121.70 |
| 1034-Y-24 | 24" X 24" X 24" | \$1,532.10 |

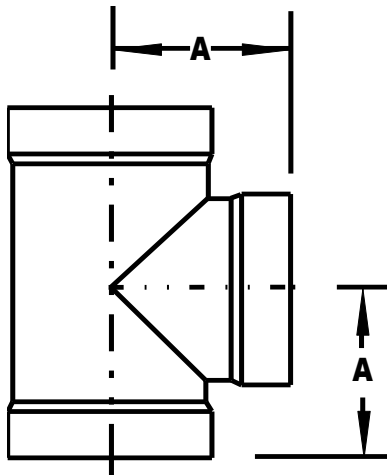




HARRISON MACHINE & PLASTIC CORPORATION

11614 ST. RT. 88 | GARRETTSVILLE, OH

Ph. 330.527.5641 | Fax 330.527.5640



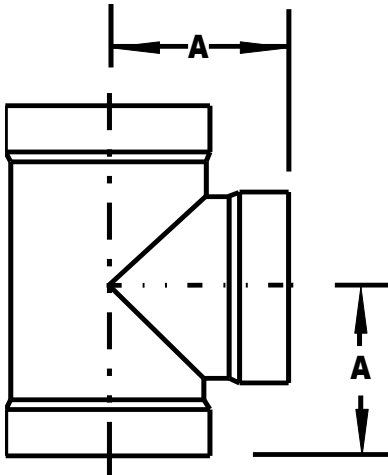
| Tee (Reducing) | | |
|-----------------------|-----------------|-------------------|
| Belled | | |
| Part No. | Size | List Price |
| 1034-T-0302 | 3" X 3" X 2" | \$100.07 |
| 1034-T-0403 | 4" X 4" X 3" | \$120.12 |
| 1034-T-0604 | 6" X 6" X 4" | \$167.21 |
| 1034-T-060404 | 6" X 4" X 4" | \$227.88 |
| 1034-T-0804 | 8" X 8" X 4" | \$204.12 |
| 1034-T-0806 | 8" X 8" X 6" | \$220.40 |
| 1034-T-1006 | 10" X 10" X 6" | \$236.79 |
| 1034-T-1008 | 10" X 10" X 8" | \$286.52 |
| 1034-T-100808 | 10" X 8" X 8" | \$328.25 |
| 1034-T-1206 | 12" X 12" X 6" | \$310.07 |
| 1034-T-1208 | 12" X 12" X 8" | \$318.44 |
| 1034-T-1210 | 12" X 12" X 10" | \$377.23 |
| 1034-T-1410 | 14" X 14" X 10" | \$398.22 |
| 1034-T-1412 | 14" X 14" X 12" | \$462.07 |
| 1034-T-1612 | 16" X 16" X 12" | \$501.58 |
| 1034-T-1614 | 16" X 16" X 14" | \$531.98 |
| 1034-T-1814 | 18" X 18" X 14" | \$598.86 |
| 1034-T-1816 | 18" X 18" X 16" | \$623.19 |
| 1034-T-2016 | 20" X 20" X 16" | \$790.37 |
| 1034-T-2018 | 20" X 20" X 18" | \$899.80 |
| 1034-T-2418 | 24" X 24" X 18" | \$1,045.70 |
| 1034-T-2420 | 24" X 24" X 20" | \$1,112.59 |



HARRISON MACHINE & PLASTIC CORPORATION

11614 ST. RT. 88 | GARRETTSVILLE, OH

Ph. 330.527.5641 | Fax 330.527.5640



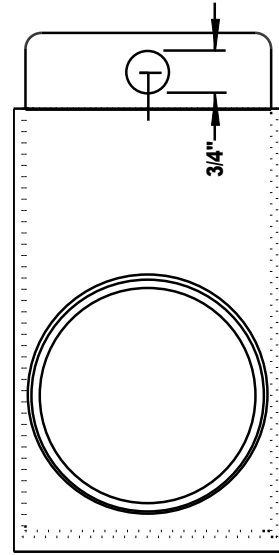
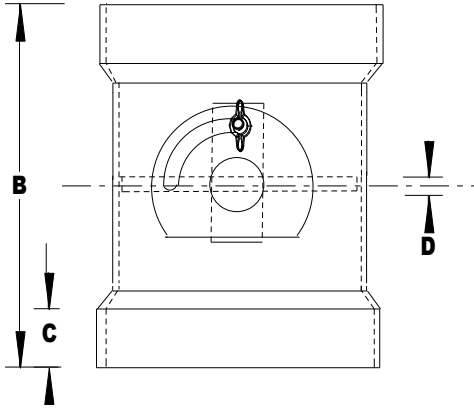
| Tee | | |
|-----------------|-----------------|-------------------|
| Belled | | |
| Part No. | Size | List Price |
| 1034-T-03 | 3" X 3" X 3" | \$116.77 |
| 1034-T-04 | 4" X 4" X 4" | \$145.90 |
| 1034-T-06 | 6" X 6" X 6" | \$177.09 |
| 1034-T-07 | 7" X 7" X 7" | \$199.43 |
| 1034-T-08 | 8" X 8" X 8" | \$255.56 |
| 1034-T-09 | 9" X 9" X 9" | \$261.43 |
| 1034-T-10 | 10" X 10" X 10" | \$269.33 |
| 1034-T-11 | 11" X 11" X 11" | \$285.75 |
| 1034-T-12 | 12" X 12" X 12" | \$313.11 |
| 1034-T-14 | 14" X 14" X 14" | \$361.75 |
| 1034-T-16 | 16" X 16" X 16" | \$468.12 |
| 1034-T-18 | 18" X 18" X 18" | \$729.56 |
| 1034-T-20 | 20" X 20" X 20" | \$899.80 |
| 1034-T-24 | 24" X 24" X 24" | \$1,179.46 |



HARRISON MACHINE & PLASTIC CORPORATION

11614 ST. RT. 88 | GARRETTSVILLE, OH

Ph. 330.527.5641 | Fax 330.527.5640



Butterfly Damper

Belled

| Part No. | Size | List Price |
|------------|------|------------|
| 1034-BD-02 | 2" | \$174.00 |
| 1034-BD-03 | 3" | \$180.56 |
| 1034-BD-04 | 4" | \$188.29 |
| 1034-BD-05 | 5" | \$211.56 |
| 1034-BD-06 | 6" | \$234.44 |
| 1034-BD-07 | 7" | \$235.56 |
| 1034-BD-08 | 8" | \$237.58 |
| 1034-BD-09 | 9" | \$249.56 |
| 1034-BD-10 | 10" | \$262.20 |
| 1034-BD-11 | 11" | \$279.22 |
| 1034-BD-12 | 12" | \$291.82 |
| 1034-BD-14 | 14" | \$399.16 |
| 1034-BD-16 | 16" | \$437.09 |
| 1034-BD-18 | 18" | \$592.24 |
| 1034-BD-20 | 20" | \$704.89 |
| 1034-BD-24 | 24" | \$926.98 |

Blastgate

Belled

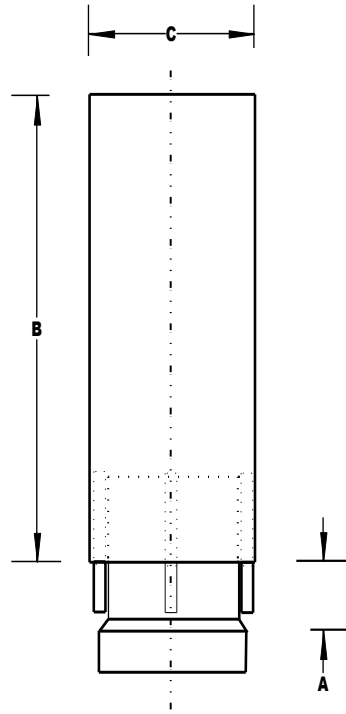
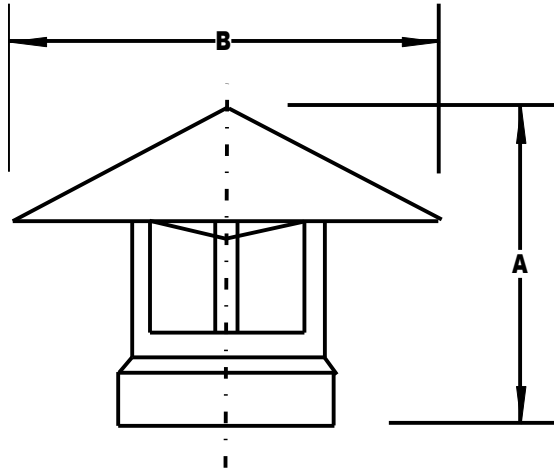
| Part No. | Size | List Price |
|------------|------|------------|
| 1034-BG-02 | 2" | \$161.76 |
| 1034-BG-03 | 3" | \$209.20 |
| 1034-BG-04 | 4" | \$196.33 |
| 1034-BG-05 | 5" | \$213.24 |
| 1034-BG-06 | 6" | \$233.33 |
| 1034-BG-07 | 7" | \$263.44 |
| 1034-BG-08 | 8" | \$277.62 |
| 1034-BG-09 | 9" | \$288.11 |
| 1034-BG-10 | 10" | \$296.93 |
| 1034-BG-11 | 11" | \$338.40 |
| 1034-BG-12 | 12" | \$355.69 |
| 1034-BG-14 | 14" | \$486.02 |
| 1034-BG-16 | 16" | \$511.78 |
| 1034-BG-18 | 18" | \$630.84 |
| 1034-BG-20 | 20" | \$735.96 |
| 1034-BG-24 | 24" | \$949.38 |



HARRISON MACHINE & PLASTIC CORPORATION

11614 ST. RT. 88 | GARRETTSVILLE, OH

Ph. 330.527.5641 | Fax 330.527.5640



Rain Cap (Style "A")

Belled

| Part No. | Size | List Price |
|-------------|------|------------|
| 1034-WCA-02 | 2" | \$294.11 |
| 1034-WCA-03 | 3" | \$242.58 |
| 1034-WCA-04 | 4" | \$264.56 |
| 1034-WCA-05 | 5" | \$312.83 |
| 1034-WCA-06 | 6" | \$328.53 |
| 1034-WCA-07 | 7" | \$344.08 |
| 1034-WCA-08 | 8" | \$361.42 |
| 1034-WCA-09 | 9" | \$375.36 |
| 1034-WCA-10 | 10" | \$450.33 |
| 1034-WCA-11 | 11" | \$461.39 |
| 1034-WCA-12 | 12" | \$500.36 |
| 1034-WCA-14 | 14" | \$680.28 |
| 1034-WCA-16 | 16" | \$745.53 |
| 1034-WCA-18 | 18" | \$1,073.83 |
| 1034-WCA-20 | 20" | \$1,176.42 |
| 1034-WCA-24 | 24" | \$1,398.72 |

Rain Cap (Style "B")

Zero Pressure Loss Feature

| Part No. | Size | List Price |
|-------------|------|------------|
| 1034-WCB-03 | 3" | \$253.36 |
| 1034-WCB-04 | 4" | \$298.36 |
| 1034-WCB-05 | 5" | \$326.53 |
| 1034-WCB-06 | 6" | \$349.08 |
| 1034-WCB-07 | 7" | \$365.92 |
| 1034-WCB-08 | 8" | \$388.14 |
| 1034-WCB-09 | 9" | \$450.14 |
| 1034-WCB-10 | 10" | \$487.94 |
| 1034-WCB-11 | 11" | \$526.69 |
| 1034-WCB-12 | 12" | \$547.42 |
| 1034-WCB-14 | 14" | \$735.25 |
| 1034-WCB-16 | 16" | \$969.42 |
| 1034-WCB-18 | 18" | \$1,179.86 |
| 1034-WCB-20 | 20" | \$1,258.50 |
| 1034-WCB-24 | 24" | \$1,590.25 |



HARRISON MACHINE & PLASTIC CORPORATION

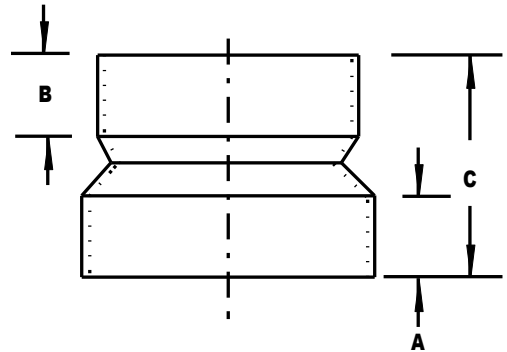
11614 ST. RT. 88 | GARRETTSVILLE, OH

Ph. 330.527.5641 | Fax 330.527.5640

Rolled Reducer Coupling

Bell X Bell

| Part No. | Size | List Price |
|---------------|-----------|------------|
| 1034-RCR-0604 | 6" X 4" | \$220.44 |
| 1034-RCR-0804 | 8" X 4" | \$261.54 |
| 1034-RCR-0806 | 8" X 6" | \$255.19 |
| 1034-RCR-1006 | 10" X 6" | \$300.05 |
| 1034-RCR-1008 | 10" X 8" | \$290.20 |
| 1034-RCR-1208 | 12" X 8" | \$340.71 |
| 1034-RCR-1210 | 12" X 10" | \$328.44 |
| 1034-RCR-1410 | 14" X 10" | \$371.42 |
| 1034-RCR-1412 | 14" X 12" | \$398.61 |
| 1034-RCR-1612 | 16" X 12" | \$413.39 |
| 1034-RCR-1614 | 16" X 14" | \$394.46 |
| 1034-RCR-1814 | 18" X 14" | \$490.35 |
| 1034-RCR-1816 | 18" X 16" | \$471.16 |
| 1034-RCR-2016 | 20" X 16" | \$531.24 |
| 1034-RCR-2018 | 20" X 18" | \$548.34 |
| 1034-RCR-2420 | 24" X 20" | \$652.60 |



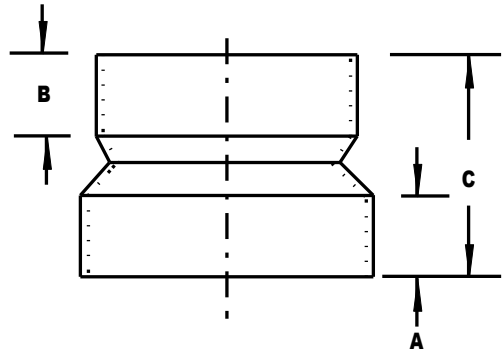


HARRISON MACHINE & PLASTIC CORPORATION

11614 ST. RT. 88 | GARRETTSVILLE, OH

Ph. 330.527.5641 | Fax 330.527.5640

| Reducer Coupling | | |
|-------------------------|-------------|-------------------|
| Bell X Bell | | |
| Part No. | Size | List Price |
| 1034-RC-0302 | 3" X 2" | \$66.25 |
| 1034-RC-0402 | 4" X 2" | \$76.89 |
| 1034-RC-0403 | 4" X 3" | \$55.32 |
| 1034-RC-0503 | 5" X 3" | \$84.03 |
| 1034-RC-0504 | 5" X 4" | \$75.50 |
| 1034-RC-0602 | 6" X 2" | \$156.89 |
| 1034-RC-0603 | 6" X 3" | \$154.54 |
| 1034-RC-0604 | 6" X 4" | \$58.59 |
| 1034-RC-0605 | 6" X 5" | \$91.29 |
| 1034-RC-0706 | 7" X 6" | \$88.29 |
| 1034-RC-0803 | 8" X 3" | \$256.10 |
| 1034-RC-0804 | 8" X 4" | \$158.59 |
| 1034-RC-0805 | 8" X 5" | \$170.27 |
| 1034-RC-0806 | 8" X 6" | \$69.20 |
| 1034-RC-0807 | 8" X 7" | \$100.31 |
| 1034-RC-0906 | 9" X 6" | \$110.41 |
| 1034-RC-0908 | 9" X 8" | \$105.96 |
| 1034-RC-1005 | 10" X 5" | \$350.88 |
| 1034-RC-1006 | 10" X 6" | \$189.52 |
| 1034-RC-1008 | 10" X 8" | \$89.88 |
| 1034-RC-1009 | 10" X 9" | \$125.86 |
| 1034-RC-1109 | 11" X 9" | \$110.41 |
| 1034-RC-1110 | 11" X 10" | \$108.65 |
| 1034-RC-1207 | 12" X 7" | \$267.66 |
| 1034-RC-1208 | 12" X 8" | \$224.89 |
| 1034-RC-1210 | 12" X 10" | \$101.23 |
| 1034-RC-1211 | 12" X 11" | \$139.06 |
| 1034-RC-1410 | 14" X 10" | \$274.75 |
| 1034-RC-1412 | 14" X 12" | \$143.22 |
| 1034-RC-1612 | 16" X 12" | \$317.07 |
| 1034-RC-1614 | 16" X 14" | \$175.08 |
| 1034-RC-1814 | 18" X 14" | \$438.43 |
| 1034-RC-1816 | 18" X 16" | \$239.84 |
| 1034-RC-2016 | 20" X 16" | \$572.73 |
| 1034-RC-2018 | 20" X 18" | \$314.48 |
| 1034-RC-2418 | 24" X 18" | \$742.20 |
| 1034-RC-2420 | 24" X 20" | \$605.10 |



Rolled reducers also available



HARRISON MACHINE & PLASTIC CORPORATION

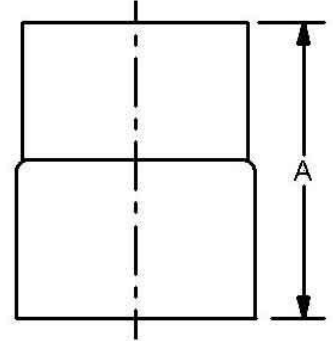
11614 ST. RT. 88 | GARRETTSVILLE, OH

Ph. 330.527.5641 | Fax 330.527.5640

Flex Hose Adapter

Hose Spigot X Duct Spigot

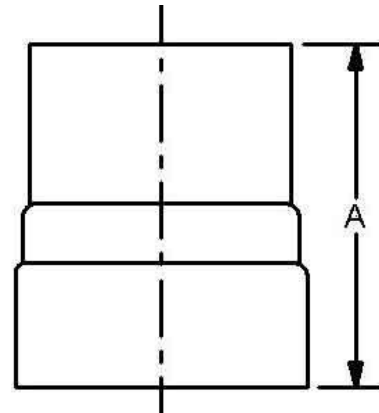
| Part No. | Size | Spigot | List Price |
|-------------|-------------|-------------|------------|
| | O.D. (Hose) | P.E. (Duct) | |
| 1033-FHA-02 | 2" | 2.375" | \$24.20 |
| 1033-FHA-03 | 3" | 3.500" | \$30.89 |
| 1033-FHA-04 | 4" | 4.500" | \$31.70 |
| 1033-FHA-05 | 5" | 5.563" | \$51.56 |
| 1033-FHA-06 | 6" | 6.625" | \$56.07 |
| 1033-FHA-07 | 7" | 7.375" | \$60.05 |
| 1033-FHA-08 | 8" | 8.625" | \$65.04 |
| 1033-FHA-10 | 10" | 10.750" | \$82.57 |
| 1033-FHA-12 | 12" | 12.750" | \$103.43 |
| 1033-FHA-14 | 14" | 14.000" | \$42.69 |
| 1033-FHA-16 | 16" | 16.000" | \$49.70 |



Flex Hose Adapter

Hose Spigot X Duct Bell

| Part No. | Size | List Price |
|-------------|------|------------|
| 1034-FHA-02 | 2" | \$34.80 |
| 1034-FHA-03 | 3" | \$43.27 |
| 1034-FHA-04 | 4" | \$44.00 |
| 1034-FHA-05 | 5" | \$62.51 |
| 1034-FHA-06 | 6" | \$66.25 |
| 1034-FHA-08 | 8" | \$80.00 |
| 1034-FHA-10 | 10" | \$97.15 |
| 1034-FHA-12 | 12" | \$127.19 |
| 1034-FHA-14 | 14" | \$45.20 |
| 1034-FHA-16 | 16" | \$52.63 |



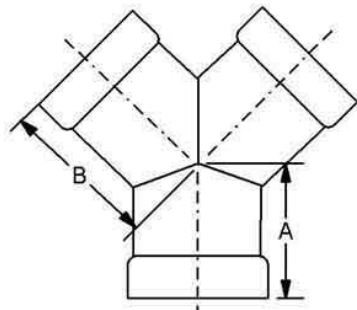
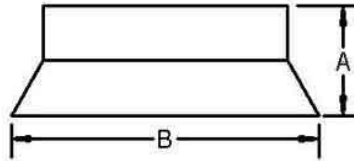


HARRISON MACHINE & PLASTIC CORPORATION

11614 ST. RT. 88 | GARRETTSVILLE, OH

Ph. 330.527.5641 | Fax 330.527.5640

| Rainskirt | | |
|------------------|------|------------|
| Belled | | |
| Part No. | Size | List price |
| 1034-RS-02 | 2" | \$150.43 |
| 1034-RS-03 | 3" | \$166.14 |
| 1034-RS-04 | 4" | \$189.93 |
| 1034-RS-05 | 5" | \$205.78 |
| 1034-RS-06 | 6" | \$221.65 |
| 1034-RS-08 | 8" | \$229.54 |
| 1034-RS-10 | 10" | \$237.41 |
| 1034-RS-12 | 12" | \$276.97 |
| 1034-RS-14 | 14" | \$324.50 |
| 1034-RS-16 | 16" | \$427.42 |
| 1034-RS-18 | 18" | \$474.95 |
| 1034-RS-20 | 20" | \$490.67 |
| 1034-RS-24 | 24" | \$569.88 |



| True Wye | | |
|-----------------|------|------------|
| Belled | | |
| Part No. | Size | List Price |
| 1034-TY-02 | 2" | \$205.16 |
| 1034-TY-03 | 3" | \$207.48 |
| 1034-TY-04 | 4" | \$210.49 |
| 1034-TY-05 | 5" | \$214.35 |
| 1034-TY-06 | 6" | \$228.99 |
| 1034-TY-07 | 7" | \$250.81 |
| 1034-TY-08 | 8" | \$278.77 |
| 1034-TY-09 | 9" | \$293.78 |
| 1034-TY-10 | 10" | \$352.15 |
| 1034-TY-11 | 11" | \$361.56 |
| 1034-TY-12 | 12" | \$435.33 |
| 1034-TY-14 | 14" | \$548.35 |
| 1034-TY-16 | 16" | \$669.09 |
| 1034-TY-18 | 18" | \$1,135.90 |
| 1034-TY-20 | 20" | \$1,437.78 |
| 1034-TY-24 | 24" | \$1,713.46 |

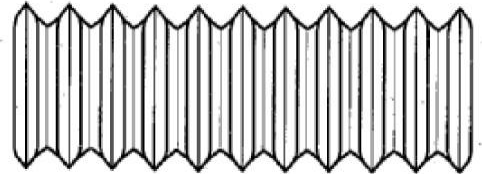


HARRISON MACHINE & PLASTIC CORPORATION

11614 ST. RT. 88 | GARRETTSVILLE, OH
Ph. 330.527.5641 | Fax 330.527.5640

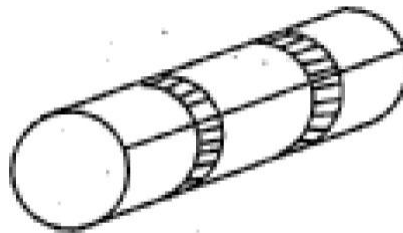
Flexible PVC Duct

| Part No. | Size | List Price |
|------------|------|------------|
| 1033-FH-02 | 2" | \$7.06 |
| 1033-FH-03 | 3" | \$11.16 |
| 1033-FH-04 | 4" | \$13.09 |
| 1033-FH-05 | 5" | \$14.15 |
| 1033-FH-06 | 6" | \$14.99 |
| 1033-FH-07 | 7" | \$19.11 |
| 1033-FH-08 | 8" | \$21.01 |
| 1033-FH-10 | 10" | \$26.69 |
| 1033-FH-12 | 12" | \$32.35 |
| 1033-FH-14 | 14" | \$37.65 |
| 1033-FH-16 | 16" | \$45.56 |



Flexible Duct Coupling

| Part No. | Size | List price |
|------------|------|------------|
| 1034-FC-03 | 3" | \$83.90 |
| 1034-FC-04 | 4" | \$90.61 |
| 1034-FC-06 | 6" | \$93.99 |
| 1034-FC-07 | 7" | \$100.24 |
| 1034-FC-08 | 8" | \$105.70 |
| 1034-FC-09 | 9" | \$111.16 |
| 1034-FC-10 | 10" | \$117.44 |
| 1034-FC-12 | 12" | \$132.16 |
| 1034-FC-14 | 14" | \$146.82 |
| 1034-FC-16 | 16" | \$158.56 |
| 1034-FC-18 | 18" | \$200.37 |
| 1034-FC-20 | 20" | \$243.14 |
| 1034-FC-24 | 24" | \$300.84 |

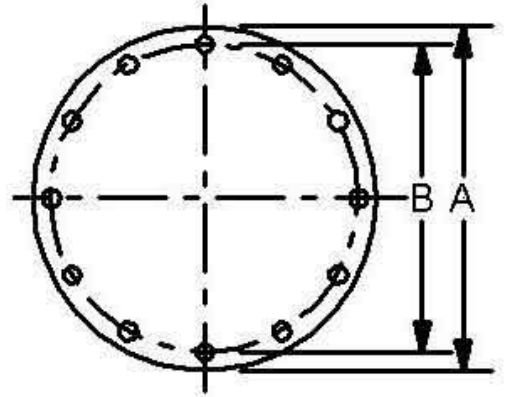
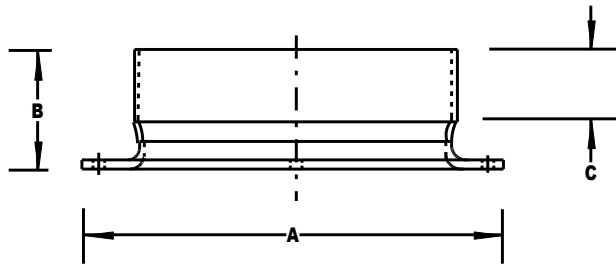




HARRISON MACHINE & PLASTIC CORPORATION

11614 ST. RT. 88 | GARRETTSVILLE, OH

Ph. 330.527.5641 | Fax 330.527.5640



Flange

Belled

| Part No. | Size | List Price |
|------------|------|------------|
| 1034-SF-02 | 2" | \$39.11 |
| 1034-SF-03 | 3" | \$44.73 |
| 1034-SF-04 | 4" | \$64.21 |
| 1034-SF-05 | 5" | \$68.08 |
| 1034-SF-06 | 6" | \$71.69 |
| 1034-SF-07 | 7" | \$84.50 |
| 1034-SF-08 | 8" | \$91.74 |
| 1034-SF-09 | 9" | \$113.02 |
| 1034-SF-10 | 10" | \$95.06 |
| 1034-SF-11 | 11" | \$116.03 |
| 1034-SF-12 | 12" | \$109.10 |
| 1034-SF-14 | 14" | \$128.73 |
| 1034-SF-16 | 16" | \$160.13 |
| 1034-SF-18 | 18" | \$244.94 |
| 1034-SF-20 | 20" | \$284.05 |
| 1034-SF-24 | 24" | \$311.90 |

Blind Flange

| Part No. | Size | List Price |
|------------|------|------------|
| 1034-BF-03 | 3" | \$45.91 |
| 1034-BF-04 | 4" | \$53.02 |
| 1034-BF-05 | 5" | \$55.29 |
| 1034-BF-06 | 6" | \$78.89 |
| 1034-BF-07 | 7" | \$85.00 |
| 1034-BF-08 | 8" | \$94.44 |
| 1034-BF-09 | 9" | \$95.78 |
| 1034-BF-10 | 10" | \$97.22 |
| 1034-BF-11 | 11" | \$122.78 |
| 1034-BF-12 | 12" | \$138.00 |
| 1034-BF-14 | 14" | \$173.89 |
| 1034-BF-16 | 16" | \$196.11 |
| 1034-BF-18 | 18" | \$206.11 |
| 1034-BF-20 | 20" | \$225.67 |
| 1034-BF-24 | 24" | \$324.89 |

All blind flanges are 3/16" thick.

All bolt holes are 5/16" diameter.

Duct Drilling, Not 150#



HARRISON MACHINE & PLASTIC CORPORATION

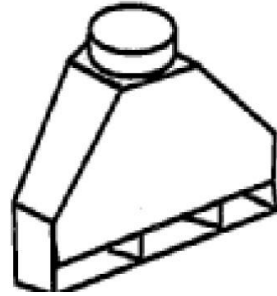
11614 ST. RT. 88 | GARRETTSVILLE, OH

Ph. 330.527.5641 | Fax 330.527.5640

Rear Exhaust Hood

Single Slot

| | | |
|-------------|-----|------------|
| 1034-SSH-18 | 18" | \$701.25 |
| 1034-SSH-24 | 24" | \$759.79 |
| 1034-SSH-30 | 30" | \$876.68 |
| 1034-SSH-36 | 36" | \$934.98 |
| 1034-SSH-42 | 42" | \$1,053.18 |
| 1034-SSH-48 | 48" | \$1,139.56 |
| 1034-SSH-54 | 54" | \$1,203.90 |
| 1034-SSH-60 | 60" | \$1,256.44 |
| 1034-SSH-66 | 66" | \$1,344.16 |
| 1034-SSH-72 | 72" | \$1,490.20 |



Please Contact factory for prices on:

Double Slot, Single Lateral, Double Lateral, and other custom hoods.

- Please contact the factory for items not shown in this catalog
- Virtually all reduction sizes are available in tees, wyes, elbows and reducer couplings
- All configurations are also available in plain end (spigot end) end connections
- Pricing for Rear Exhaust (Single and Double) Hoods as well as Lateral (Single and Double) Hoods available on request
- All types of transitions (square to round, rectangular to round) with socket, spigot or flanged connections are available per customer specification