



**HARRISON MACHINE & PLASTIC
CORPORATION**

PVC SUPERDUCT® PIPE

PVC SUPERDUCT®

FITTINGS

For Harrison Fume Exhaust Systems

Dimensions Catalog



HARRISON MACHINE & PLASTIC CORPORATION

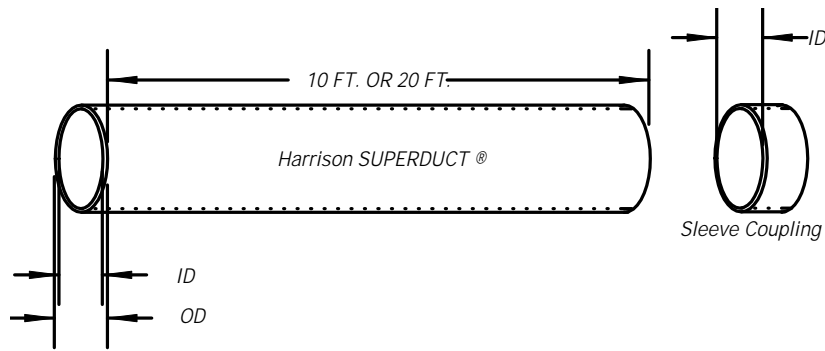
11614 ST. RT. 88 | GARRETTSVILLE, OH

Ph. 330.527.5641 | Fax 330.527.5640

Table of Contents

<u>Description</u>	<u>Page No.</u>
SUPERDUCT® Pipe	3
Bell Dimensions	4
90° Elbow	4
45° Elbow	5
Coupling	5
Reducer Coupling	6
Cap	7
True Wye	7
45° Wye	8
Tee	9
Rainskirt	10
Rain Cap 'Style A'	10
Rain Cap 'Style B'	11
Blind Flange	12
Butterfly Damper	13
Socket Flange	14
Blastgate Damper	15
Flex Hose Adapter	16
Flexible Duct	17
Flexible Coupling	17
Hoods	18
Transitions	18

Note: The dimensions shown on the following pages of this catalog are essentially shown as “Center to End” dimensions, which apply to both belled end as well as plain end fittings. To determine “take-out” dimensions for belled end fittings, refer to the bell depths below to make appropriate calculations. 2



SUPERDUCT® Pipe						
Part No.	Size	(O.D.)	(I.D.)	Wall	Wt/Ft.	Standard Length
	Extruded					
1033-PP-02	2"	2.375"	2.170"	0.091"	0.432	10 ft. or 20 ft.
1033-PP-03	3"	3.500"	3.210"	0.135"	0.915	10 ft. or 20 ft.
1033-PP-04	4"	4.500"	4.130"	0.173"	1.494	10 ft. or 20 ft.
1033-PP-05	5"	5.563"	5.110"	0.214"	2.288	10 ft. or 20 ft.
1033-PP-06	6"	6.625"	6.250"	0.187"	2.340	10 ft. or 20 ft.
1033-PP-07	7"	7.375"	7.000"	0.187"	2.534	10 ft. or 20 ft.
1033-PP-08	8"	8.625"	8.250"	0.187"	3.060	10 ft. or 20 ft.
1033-PP-09	9"	9.375"	9.000"	0.187"	3.239	10 ft. or 20 ft.
1033-PP-10	10"	10.750"	10.380"	0.187"	3.830	10 ft. or 20 ft.
1033-PP-11	11"	11.375"	11.000"	0.187"	3.944	10 ft. or 20 ft.
1033-PP-12	12"	12.750"	12.380"	0.187"	4.560	10 ft. or 20 ft.
1033-PP-14	14"	14.000"	13.630"	0.187"	5.010	10 ft. or 20 ft.
1033-PP-16	16"	16.000"	15.630"	0.187"	5.740	10 ft. or 20 ft.
1033-PP-18	18"	18.000"	17.630"	0.187"	6.460	10 ft. or 20 ft.
1033-PP-20	20"	20.000"	19.500"	0.219"	9.580	10 ft. or 20 ft.
1033-PP-24	24"	24.000"	23.500"	0.250"	11.520	10 ft. or 20 ft.
	Rolled					
1033-PP-22	22"	22.000"	21.626"	0.187"	8.550	4 ft. w/ Coupling
1033-PP-26	26"	26.000"	25.626"	0.187"	10.070	4 ft. w/ Coupling
1033-PP-28	28"	28.000"	27.626"	0.187"	10.850	4 ft. w/ Coupling
1033-PP-30	30"	30.000"	29.626"	0.187"	11.640	4 ft. w/ Coupling
Duct diameter thru 60" available. Contact factory for details.						

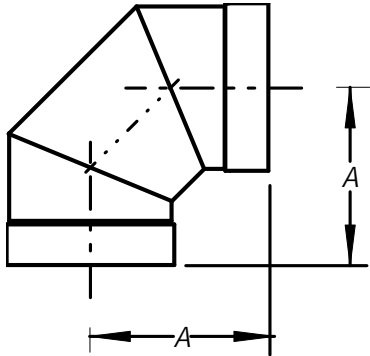


HARRISON MACHINE & PLASTIC CORPORATION

11614 ST. RT. 88 | GARRETTSVILLE, OH

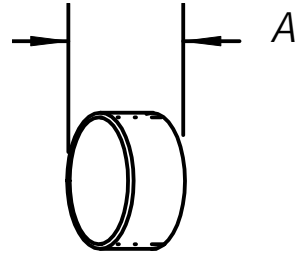
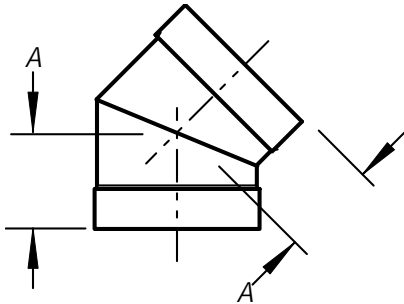
Ph. 330.527.5641 | Fax 330.527.5640

HMP 11-5-09



90° Elbow Belled (3 piece)		
Part No.	Size	A
1034-90-02	2 "	7.187 "
1034-90-03	3 "	9.000 "
1034-90-04	4 "	9.250 "
1034-90-05	5 "	9.937 "
1034-90-06	6 "	10.500 "
1034-90-07	7 "	10.875 "
1034-90-08	8 "	11.437 "
1034-90-09	9 "	11.875 "
1034-90-10	10 "	14.750 "
1034-90-11	11 "	14.937 "
1034-90-12	12 "	15.625 "
1034-90-14	14 "	15.750 "
1034-90-16	16 "	18.000 "
1034-90-18	18 "	19.062 "
1034-90-20	20 "	21.500 "
1034-90-24	24 "	23.500 "

Bell Dimensions	
Size	Socket Depth
2 "	1.50"
3 "	1.75"
4 "	1.75"
5 "	2.00"
6 "	2.00"
7 "	2.25"
8 "	2.25"
9 "	2.25"
10 "	2.50"
11 "	2.50"
12 "	2.50"
14 "	2.50"
15 "	2.50"
16 "	2.50"
18 "	2.50"
20 "	3.00"
24 "	3.00"



45° Elbow Belled (2 piece)		
Part No.	Size	Price
1034-45-02	2 "	3.000 "
1034-45-03	3 "	4.750 "
1034-45-04	4 "	4.937 "
1034-45-05	5 "	5.156 "
1034-45-06	6 "	5.375 "
1034-45-07	7 "	5.500 "
1034-45-08	8 "	5.812 "
1034-45-09	9 "	6.000 "
1034-45-10	10 "	6.250 "
1034-45-11	11 "	6.375 "
1034-45-12	12 "	6.625 "
1034-45-14	14 "	6.875 "
1034-45-16	16 "	7.562 "
1034-45-18	18 "	8.000 "
1034-45-20	20 "	9.125 "
1034-45-24	24 "	10.000 "

Coupling Sleeved		
Part No.	Size	Price
1034-CP-02	2 "	4.000 "
1034-CP-03	3 "	4.000 "
1034-CP-04	4 "	4.000 "
1034-CP-05	5 "	4.500 "
1034-CP-06	6 "	4.500 "
1034-CP-07	7 "	4.500 "
1034-CP-08	8 "	4.500 "
1034-CP-09	9 "	4.500 "
1034-CP-10	10 "	4.500 "
1034-CP-11	11 "	4.500 "
1034-CP-12	12 "	4.500 "
1034-CP-14	14 "	4.500 "
1034-CP-16	16 "	4.500 "
1034-CP-18	18 "	4.500 "
1034-CP-20	20 "	4.500 "
1034-CP-24	24 "	4.500 "

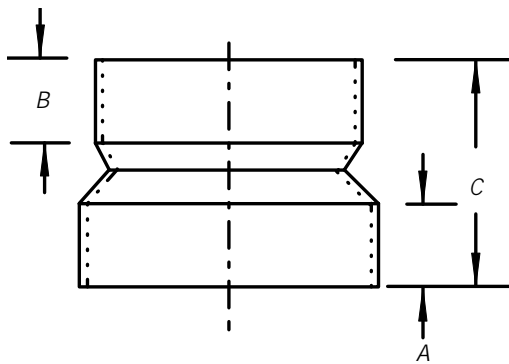


HARRISON MACHINE & PLASTIC CORPORATION

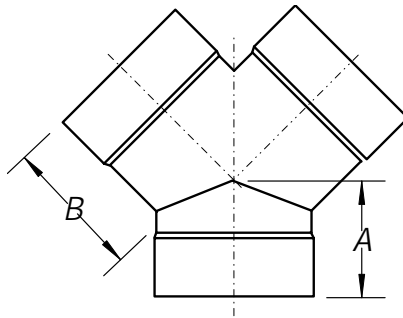
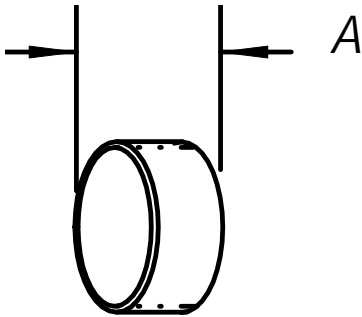
11614 ST. RT. 88 | GARRETTSVILLE, OH

Ph. 330.527.5641 | Fax 330.527.5640

HMP 11-5-09

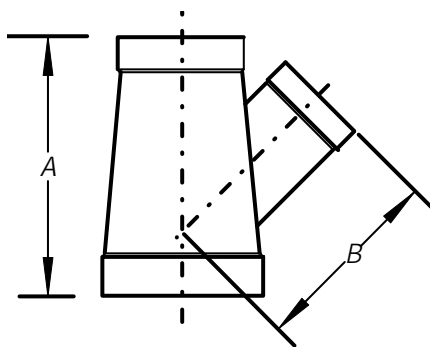
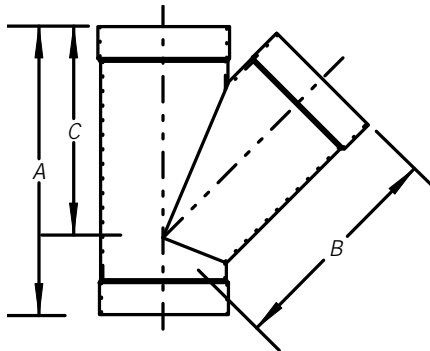


Reducer Coupling				
One Step (Bell x Bell)				
Part No.	Size	A	B	C
1034-RC-0403	4" x 3"	1.750 "	1.750 "	7.000 "
1034-RC-0604	6" x 4"	2.000 "	1.750 "	7.000 "
1034-RC-0806	8" x 6"	2.250 "	2.000 "	8.000 "
1034-RC-1008	10" x 8"	2.500 "	2.000 "	8.000 "
1034-RC-1210	12" x 10"	2.500 "	2.500 "	8.000 "
1034-RC-1412	14" x 12"	2.500 "	2.500 "	7.250 "
1034-RC-1614	16" x 14"	2.500 "	2.500 "	9.000 "
1034-RC-1816	18" x 16"	2.500 "	2.500 "	8.250 "
1034-RC-2018	20" x 18"	3.000 "	2.500 "	8.750 "
1034-RC-2420	24" x 20"	4.000 "	3.000 "	13.000 "
Two Step (Bell x Bell)				
1034-RC-0804	8" x 4"	2.250 "	1.750 "	12.500 "
1034-RC-1006	10" x 6"	2.500 "	2.000 "	12.750 "
1034-RC-1208	12" x 8"	2.500 "	2.250 "	13.250 "
1034-RC-1410	14" x 10"	2.500 "	2.500 "	12.500 "
1034-RC-1612	16" x 12"	2.500 "	2.500 "	13.500 "
1034-RC-1814	18" x 14"	2.500 "	2.500 "	14.500 "
1034-RC-2016	20" x 16"	3.000 "	2.500 "	13.750 "
1034-RC-2418	24" x 18"	4.000 "	2.500 "	18.000 "
Rolled reducer couplings also available				



Cap Belled		
Part No.	Size	A
1034-CA-02	2 "	3.000 "
1034-CA-03	3 "	3.000 "
1034-CA-04	4 "	3.000 "
1034-CA-05	5 "	3.000 "
1034-CA-06	6 "	3.000 "
1034-CA-07	7 "	3.000 "
1034-CA-08	8 "	3.000 "
1034-CA-09	9 "	3.000 "
1034-CA-10	10 "	3.000 "
1034-CA-11	11 "	3.000 "
1034-CA-12	12 "	3.000 "
1034-CA-14	14 "	3.000 "
1034-CA-16	16 "	3.000 "
1034-CA-18	18 "	3.000 "
1034-CA-20	20 "	3.000 "
1034-CA-24	24 "	3.000 "

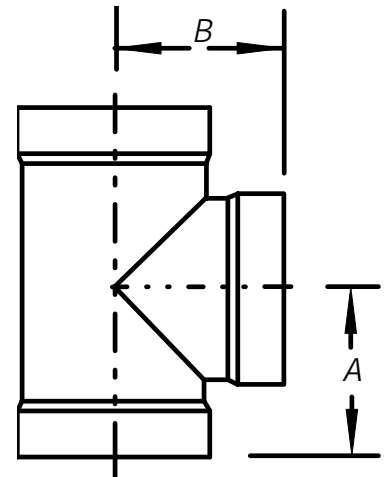
True Wye Belled			
Part No.	Size	A	B
1034-TY-02	2 "	2.750 "	2.375 "
1034-TY-03	3 "	3.250 "	4.750 "
1034-TY-04	4 "	4.000 "	5.250 "
1034-TY-05	5 "	4.375 "	5.750 "
1034-TY-06	6 "	4.437 "	6.250 "
1034-TY-07	7 "	4.562 "	6.750 "
1034-TY-08	8 "	5.812 "	8.375 "
1034-TY-09	9 "	6.000 "	8.750 "
1034-TY-10	10 "	6.250 "	9.500 "
1034-TY-11	11 "	6.437 "	9.750 "
1034-TY-12	12 "	6.656 "	10.250 "
1034-TY-14	14 "	6.875 "	11.000 "
1034-TY-16	16 "	7.312 "	12.000 "
1034-TY-18	18 "	8.500 "	14.000 "
1034-TY-20	20 "	9.000 "	14.750 "
1034-TY-24	24 "	10.750 "	18.000 "

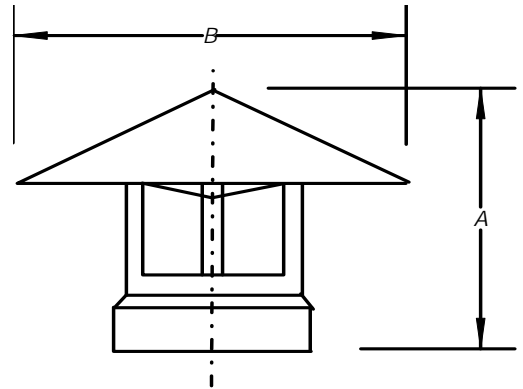
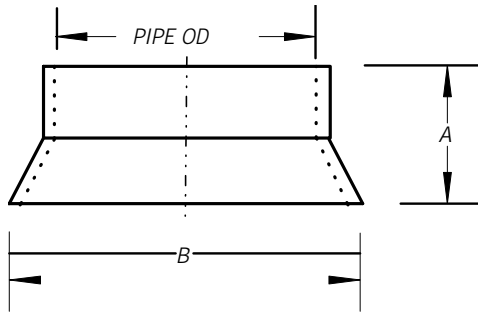


45° Wye				
Belled				
Part No.	Size	A	B	C
1034-Y-0604	6 X 6 X 4 "	15.875 "	10.750 "	11.750 "
1034-Y-06	6 X 6 X 6 "	18.875 "	13.250 "	13.250 "
1034-Y-07	7 X 7 X 7 "	20.375 "	14.375 "	14.375 "
1034-Y-0804	8 X 8 X 4 "	16.375 "	12.250 "	13.062 "
1034-Y-0806	8 X 8 X 6 "	19.375 "	13.312 "	14.500 "
1034-Y-08	8 X 8 X 8 "	22.187 "	15.875 "	15.875 "
1034-Y-09	9 X 9 X 9 "	23.375 "	16.875 "	16.875 "
1034-Y-1006	10 X 10 X 6 "	20.375 "	15.312 "	16.250 "
1034-Y-1008	10 X 10 X 8 "	23.187 "	16.312 "	17.750 "
1034-Y-10	10 X 10 X 10 "	26.250 "	19.312 "	19.312 "
1034-Y-11	11 X 11 X 11 "	27.250 "	20.000 "	20.000 "
1034-Y-1208	12 X 12 X 8 "	23.312 "	17.750 "	18.750 "
1034-Y-1210	12 X 12 X 10 "	26.375 "	18.750 "	20.250 "
1034-Y-12	12 X 12 X 12 "	29.250 "	21.687 "	21.687 "
1034-Y-1410	14 X 14 X 10 "	26.250 "	19.625 "	20.875 "
1034-Y-1412	14 X 14 X 12 "	29.000 "	20.750 "	22.250 "
1034-Y-14	14 X 14 X 14 "	30.750 "	23.125 "	23.125 "
1034-Y-1612	16 X 16 X 12 "	29.000 "	22.125 "	23.375 "
1034-Y-1614	16 X 16 X 14 "	30.750 "	22.750 "	24.250 "
1034-Y-16	16 X 16 X 16 "	33.625 "	25.625 "	25.625 "
1034-Y-1814	18 X 18 X 14 "	31.250 "	24.250 "	25.375 "
1034-Y-1816	18 X 18 X 16 "	34.125 "	25.375 "	26.875 "
1034-Y-18	18 X 18 X 18 "	37.000 "	28.250 "	28.250 "
1034-Y-20	20 X 20 X 20 "	40.750 "	31.125 "	31.125 "
1034-Y-2418	24 X 24 X 18 "	38.000 "	30.750 "	31.750 "
1034-Y-24	24 X 24 X 24 "	46.500 "	36.000 "	36.000 "



Tee Belled			
Part No.	Size	A	B
1034-T-0604	6 x 6 x 4 "	7.312 "	6.500 "
1034-T-06	6 x 6 x 6 "	7.562 "	7.562 "
1034-T-07	7 x 7 x 7 "	8.187 "	8.187 "
1034-T-0804	8 x 8 x 4 "	8.312 "	6.750 "
1034-T-0806	8 x 8 x 6 "	8.562 "	7.812 "
1034-T-08	8 x 8 x 8 "	8.812 "	8.812 "
1034-T-09	9 x 9 x 9 "	9.187 "	9.187 "
1034-T-1006	10 x 10 x 6 "	9.625 "	8.062 "
1034-T-1008	10 x 10 x 8 "	9.875 "	9.062 "
1034-T-10	10 x 10 x 10 "	10.125 "	10.125 "
1034-T-11	11 x 11 x 11 "	10.437 "	10.437 "
1034-T-1206	12 x 12 x 6 "	10.625 "	8.062 "
1034-T-1208	12 x 12 x 8 "	10.875 "	9.062 "
1034-T-1210	12 x 12 x 10 "	11.125 "	10.125 "
1034-T-12	12 x 12 x 12 "	11.125 "	11.125 "
1034-T-1410	14 x 14 x 10 "	11.750 "	10.125 "
1034-T-1412	14 x 14 x 12 "	11.750 "	11.125 "
1034-T-14	14 x 14 x 14 "	11.750 "	11.750 "
1034-T-1612	16 x 16 x 12 "	12.750 "	11.125 "
1034-T-1614	16 x 16 x 14 "	12.750 "	11.750 "
1034-T-16	16 x 16 x 16 "	12.750 "	12.750 "
1034-T-1814	18 x 18 x 14 "	13.750 "	12.000 "
1034-T-1816	18 x 18 x 16 "	13.750 "	13.000 "
1034-T-18	18 x 18 x 18 "	14.000 "	14.000 "
1034-T-20	20 x 20 x 20 "	15.500 "	15.500 "
1034-T-2418	24 x 24 x 18 "	17.000 "	14.500 "
1034-T-24	24 x 24 x 24 "	17.500 "	17.500 "



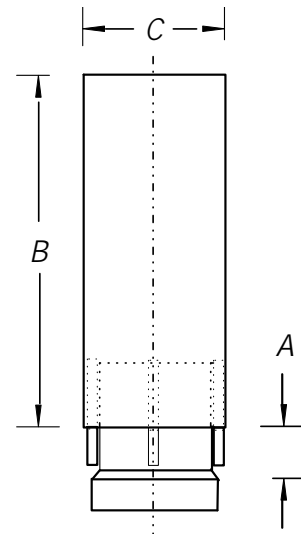


Rainskirt			
Belled			
Part No.	Size	A	B
1034-RS-02	2 "	2.250 "	4.500 "
1034-RS-03	3 "	2.625 "	5.500 "
1034-RS-04	4 "	4.000 "	6.875 "
1034-RS-05	5 "	4.000 "	8.000 "
1034-RS-06	6 "	4.000 "	8.875 "
1034-RS-07	7 "	4.000 "	10.250 "
1034-RS-08	8 "	4.000 "	11.375 "
1034-RS-09	9 "	4.000 "	12.250 "
1034-RS-10	10 "	4.000 "	13.625 "
1034-RS-11	11 "	4.000 "	14.000 "
1034-RS-12	12 "	4.000 "	16.250 "
1034-RS-14	14 "	4.000 "	17.000 "
1034-RS-16	16 "	4.000 "	19.000 "
1034-RS-18	18 "	6.000 "	22.000 "
1034-RS-20	20 "	6.000 "	23.625 "
1034-RS-24	24 "	8.000 "	27.000 "

Raincap 'Style A'			
Belled			
Part No.	Size	A	B
1034-WCA-02	2 "	8.000 "	4.000 "
1034-WCA-03	3 "	8.500 "	6.000 "
1034-WCA-04	4 "	9.000 "	8.000 "
1034-WCA-05	5 "	9.500 "	10.000 "
1034-WCA-06	6 "	10.500 "	12.000 "
1034-WCA-07	7 "	11.000 "	14.000 "
1034-WCA-08	8 "	12.250 "	16.000 "
1034-WCA-09	9 "	13.000 "	18.000 "
1034-WCA-10	10 "	13.500 "	20.000 "
1034-WCA-11	11 "	14.000 "	22.000 "
1034-WCA-12	12 "	15.250 "	23.000 "
1034-WCA-14	14 "	16.000 "	28.000 "
1034-WCA-16	16 "	16.750 "	32.000 "
1034-WCA-18	18 "	17.500 "	36.000 "
1034-WCA-20	20 "	18.500 "	40.000 "
1034-WCA-24	24 "	19.000 "	44.000 "



Raincap 'Style B'				
Belled				
Part No.	Size	A	B	C
1034-WCB-02	2 "	6.000 "	8.000 "	3.500 "
1034-WCB-03	3 "	6.000 "	12.000 "	4.500 "
1034-WCB-04	4 "	6.000 "	16.000 "	6.625 "
1034-WCB-05	5 "	8.000 "	18.000 "	7.375 "
1034-WCB-06	6 "	8.000 "	24.000 "	8.625 "
1034-WCB-07	7 "	8.000 "	28.000 "	9.375 "
1034-WCB-08	8 "	8.000 "	32.000 "	10.750 "
1034-WCB-09	9 "	8.000 "	36.000 "	11.375 "
1034-WCB-10	10 "	8.000 "	40.000 "	12.750 "
1034-WCB-11	11 "	8.000 "	44.000 "	12.750 "
1034-WCB-12	12 "	8.000 "	48.000 "	14.000 "
1034-WCB-14	14 "	8.000 "	56.000 "	16.000 "
1034-WCB-16	16 "	8.000 "	64.000 "	18.000 "
1034-WCB-18	18 "	10.000 "	72.000 "	20.000 "
1034-WCB-20	20 "	10.000 "	80.000 "	22.000 "
1034-WCB-24	24 "	12.000 "	96.000 "	26.000 "
Zero pressure loss feature				

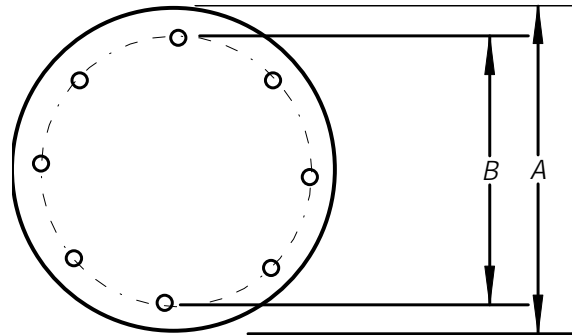


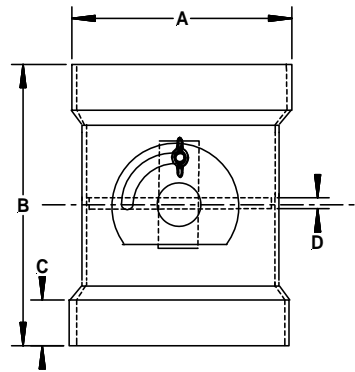


Blind Flange				
				# Bolt Holes
Part No.	Size	A	B	
1034-BF-02	2 "	6.000 "	5.000 "	4
1034-BF-03	3 "	7.500 "	6.000 "	4
1034-BF-04	4 "	8.000 "	6.500 "	6
1034-BF-05	5 "	9.000 "	7.500 "	8
1034-BF-06	6 "	10.000 "	8.500 "	8
1034-BF-07	7 "	11.000 "	9.500 "	8
1034-BF-08	8 "	12.000 "	10.500 "	10
1034-BF-09	9 "	13.000 "	11.500 "	10
1034-BF-10	10 "	14.000 "	12.500 "	12
1034-BF-11	11 "	15.000 "	13.500 "	12
1034-BF-12	12 "	16.000 "	14.500 "	14
1034-BF-14	14 "	18.000 "	16.500 "	16
1034-BF-16	16 "	20.000 "	18.500 "	18
1034-BF-18	18 "	22.000 "	20.500 "	20
1034-BF-20	20 "	24.000 "	22.500 "	22
1034-BF-24	24 "	28.000 "	26.500 "	24

All flanges are 3/16" thick material

All bolt holes are 5/16" diameter



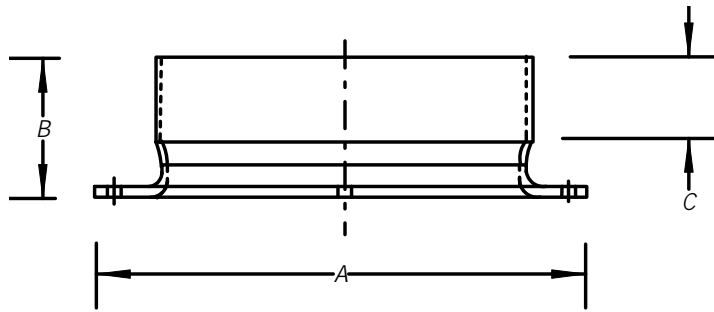


**Butterfly Damper
Belled**

Part No.	Size	A	B	C	D
1034-BD-02	2 "	2.375 "	6.750 "	1.500 "	.187 "
1034-BD-03	3 "	3.500 "	7.750 "	1.750 "	.187 "
1034-BD-04	4 "	4.500 "	8.500 "	1.750 "	.187 "
1034-BD-05	5 "	5.563 "	8.500 "	2.000 "	.187 "
1034-BD-06	6 "	6.625 "	9.500 "	2.000 "	.187 "
1034-BD-07	7 "	7.375 "	9.500 "	2.250 "	.187 "
1034-BD-08	8 "	8.625 "	10.500 "	2.250 "	.187 "
1034-BD-09	9 "	9.375 "	10.500 "	2.250 "	.187 "
1034-BD-10	10 "	10.750 "	11.750 "	2.500 "	.187 "
1034-BD-11	11 "	11.375 "	11.750 "	2.500 "	.187 "
1034-BD-12	12 "	12.750 "	12.750 "	2.500 "	.187 "
1034-BD-14	14 "	14.000 "	13.750 "	2.500 "	.187 "
1034-BD-16	16 "	16.000 "	15.750 "	2.500 "	.187 "
1034-BD-18	18 "	18.000 "	17.750 "	2.500 "	.250 "
1034-BD-20	20 "	20.000 "	19.750 "	3.000 "	.250 "
1034-BD-24	24 "	24.000 "	23.750 "	3.000 "	.250 "

Features and Benefits

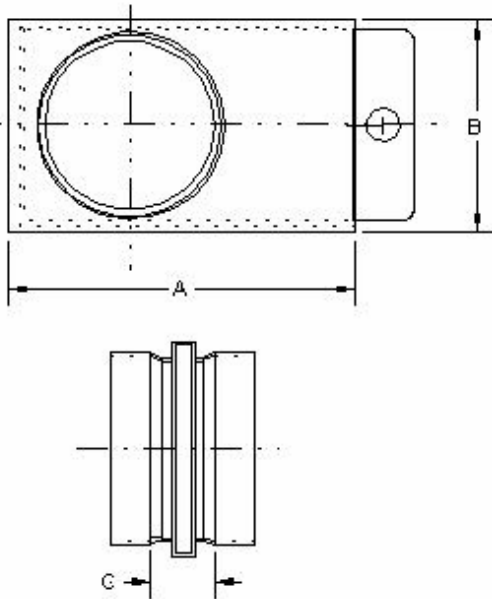
- *Materials of Construction:
Body, damper plate & shaft:
PVC, CPVC, PP, HDPE
- *Locking hardware: stainless steel
- *Allows for less than 5% air-flow restriction
- *Offers an approximate 95% seal
- *Optional positive seal shaft & damper plate
- *90° damper plate operation
- *Can be installed vertically or horizontally
- *Sizes Offered: 2" thru 24" including 3", 5", 7", 9", 11"
- *Available with belled, socket, flanged, or spigot ends
- *Optional electric motor actuated
- *All plastic internal parts
- *Furnished with locking quadrant damper allowing for permanent position set



Flange						
Socket/Belled						
Part No.	Size	A	B	C	Bolt Circle	# Bolt Holes
1034-SF-02	2 "	6.000 "	2.500 "	1.500 "	5.000 "	4
1034-SF-03	3 "	7.500 "	2.500 "	1.750 "	6.000 "	4
1034-SF-04	4 "	8.000 "	3.000 "	1.750 "	6.500 "	6
1034-SF-05	5 "	9.000 "	3.500 "	2.000 "	7.500 "	8
1034-SF-06	6 "	10.000 "	4.000 "	2.000 "	8.500 "	8
1034-SF-07	7 "	11.000 "	4.000 "	2.250 "	9.500 "	8
1034-SF-08	8 "	12.000 "	4.000 "	2.250 "	10.500 "	10
1034-SF-09	9 "	13.000 "	4.000 "	2.250 "	11.500 "	10
1034-SF-10	10 "	14.000 "	4.000 "	2.500 "	12.500 "	12
1034-SF-11	11 "	15.000 "	4.000 "	2.500 "	13.500 "	12
1034-SF-12	12 "	16.000 "	4.000 "	2.500 "	14.500 "	14
1034-SF-14	14 "	18.000 "	4.000 "	2.500 "	16.500 "	16
1034-SF-16	16 "	20.000 "	4.000 "	2.500 "	18.500 "	18
1034-SF-18	18 "	22.000 "	4.000 "	2.500 "	20.500 "	20
1034-SF-20	20 "	24.000 "	4.000 "	3.000 "	22.500 "	22
1034-SF-24	24 "	28.000 "	4.000 "	3.000 "	26.500 "	24
All flanges are 3/16" thick material						
All bolt holes are 5/16" diameter						

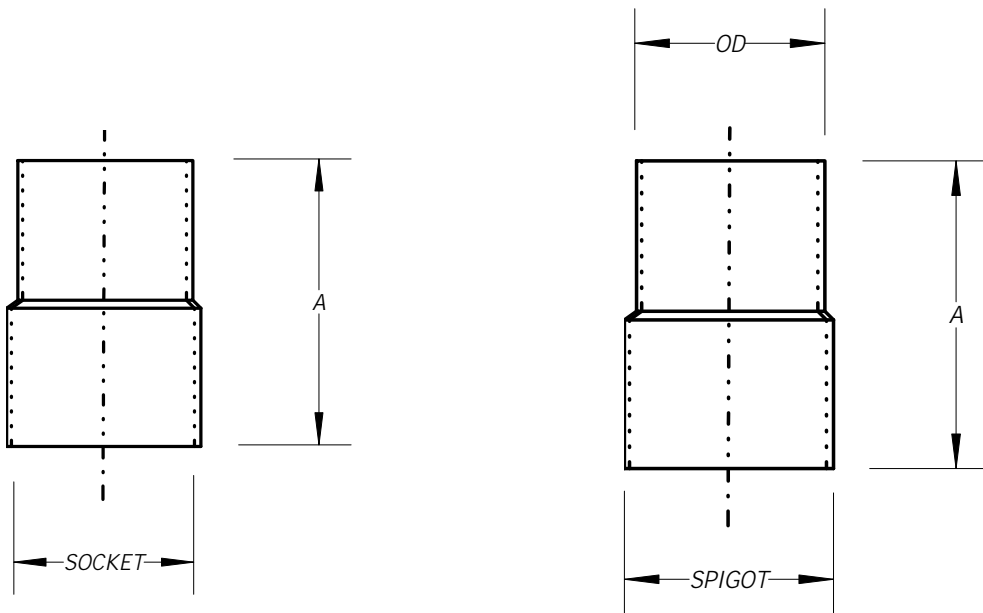
Note: Undrilled flanges also available

Flanges with 150# drilling available on a custom basis



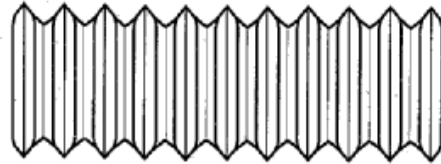
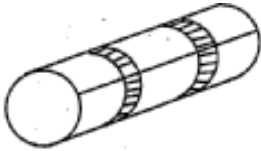
Blastgate				
Belled				
Part No.	Size	A	B	C
1034-BG-02	2 "	6.000 "	3.750 "	1.000 "
1034-BG-03	3 "	7.000 "	4.880 "	3.250 "
1034-BG-04	4 "	8.000 "	5.560 "	3.250 "
1034-BG-05	5 "	11.000 "	8.880 "	5.000 "
1034-BG-06	6 "	11.000 "	8.880 "	5.000 "
1034-BG-07	7 "	11.000 "	8.880 "	5.000 "
1034-BG-08	8 "	14.000 "	10.250 "	4.000 "
1034-BG-09	9 "	14.000 "	10.250 "	4.000 "
1034-BG-10	10 "	17.000 "	12.380 "	4.500 "
1034-BG-11	11 "	20.000 "	12.380 "	4.500 "
1034-BG-12	12 "	20.000 "	13.880 "	4.500 "
1034-BG-14	14 "	21.750 "	15.500 "	4.500 "
1034-BG-16	16 "	23.000 "	17.500 "	4.250 "
1034-BG-18	18 "	28.000 "	19.500 "	4.250 "
1034-BG-20	20 "	30.750 "	21.500 "	5.750 "
1034-BG-24	24 "	34.000 "	25.500 "	5.750 "

Gate is 3/16" thick material.



Flex Hose Adapter Hose Spigot x Duct Bell			
Part No.	Size	Bell	A
	O.D. (Hose)	Socket (Duct)	
1034-FHA-02	2 "	2.375 "	5.500 "
1034-FHA-03	3 "	3.500 "	6.000 "
1034-FHA-04	4 "	4.500 "	7.000 "
1034-FHA-05	5 "	5.563 "	7.000 "
1034-FHA-06	6 "	6.625 "	7.500 "
1034-FHA-08	8 "	8.625 "	9.000 "
1034-FHA-10	10 "	10.750 "	9.000 "
1034-FHA-12	12 "	12.750 "	9.000 "
1034-FHA-14	14 "	14.000 "	8.000 "
1034-FHA-16	16 "	16.000 "	8.000 "
1034-FHA-18	18 "	18.000 "	8.000 "

Flex Hose Adapter Hose Spigot x Duct Spigot			
Part No.	Size	Spigot	A
	O.D. (Hose)	P.E. (Duct)	
1033-FHA-02	2 "	2.375 "	5.500 "
1033-FHA-03	3 "	3.500 "	6.000 "
1033-FHA-04	4 "	4.500 "	7.000 "
1033-FHA-05	5 "	5.563 "	7.000 "
1033-FHA-06	6 "	6.625 "	7.500 "
1033-FHA-08	8 "	8.625 "	9.000 "
1033-FHA-10	10 "	10.750 "	9.000 "
1033-FHA-12	12 "	12.750 "	9.000 "
1033-FHA-14	14 "	14.000 "	8.000 "
1033-FHA-16	16 "	16.000 "	8.000 "
1033-FHA-18	18 "	18.000 "	8.000 "

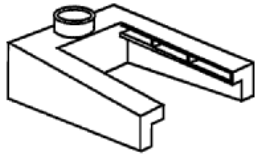


Flexible Coupling		
Part No.	Size	A
1034-FC-02	2 "	6 "
1034-FC-03	3 "	6 "
1034-FC-04	4 "	6 "
1034-FC-05	5 "	6 "
1034-FC-06	6 "	6 "
1034-FC-08	8 "	6 "
1034-FC-10	10 "	6 "
1034-FC-12	12 "	6 "
1034-FC-14	14 "	6 "
1034-FC-16	16 "	6 "
1034-FC-18	18 "	6 "

Flexible Duct (PVC)				
Part No.	Size	Bare Wire	Wall	Standard Length
	I.D.	Gauge		
1033-FH-02	2 "	0.045	0.024 "	25 ft.
1033-FH-03	3 "	0.045	0.032 "	25 ft.
1033-FH-04	4 "	0.045	0.032 "	25 ft.
1033-FH-05	5 "	0.045	0.032 "	25 ft.
1033-FH-06	6 "	0.064	0.032 "	25 ft.
1033-FH-08	8 "	0.064	0.032 "	25 ft.
1033-FH-10	10 "	0.064	0.024 "	15 ft.
1033-FH-12	12 "	0.064	0.024 "	15 ft.
1033-FH-14	14 "	0.064	0.024 "	15 ft.
1033-FH-16	16 "	0.064	0.024 "	15 ft.
1033-FH-18	18 "	0.064	0.024 "	15 ft.



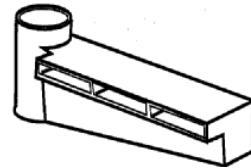
Hoods are fabricated to Harrison standards or customer specifications.



Double Lateral Hood

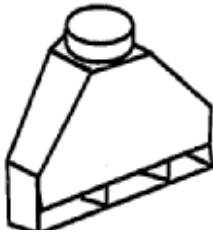
Lengths from 24" to 96"

Widths from 18" to 66"



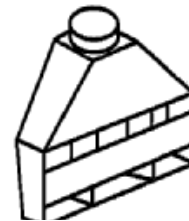
Single Lateral Hood

Lengths from 24" to 18 ft.



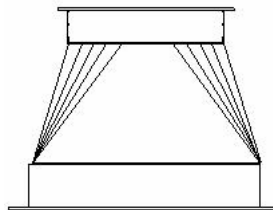
Single Slot Rear Exhaust Hood

Widths from 18' to 72"



Double Slot Rear Exhaust Hood

Widths from 18' to 72"



Transitions

Transitions (square to round, rectangular to round) with socket or flanged connections available per customer specifications. Transitions to dis-similar materials also available. Please contact us for pricing.