

Harrison Machine & Plastic Corporation



CORZAN® CPVC Fume Exhaust Systems

**CPVC DUCT FITTINGS & CPVC DUCT
PIPE**

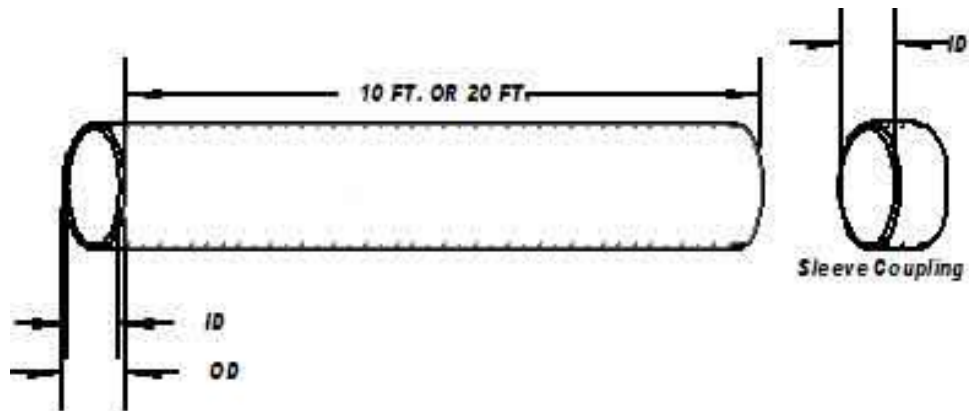
LIST PRICE CATALOG

EFFECTIVE 1-15-11



CORZAN® Key Industrial Fabricator

- Harrison is recognized for inclusion in the Corzan® Key Industrial Fabricator Program, in that we have completed a qualification process, whereby our welding processes meet established standards, which focus on weld strength (short term tensile strength), following the guidelines of ASTM C 1147
- Harrison CPVC duct systems are produced from a CPVC Corzan® material with unique physical properties offering higher impact strength and fire resistance capabilities, making Corzan® a desirable product for air handling duct systems
- CPVC has an upper temperature limit 200° F
- CPVC Is light weight, easy to install and is cost effective
- Extruded duct thru 24” diameter meets ULC S102.2 with a maximum flame spread rating of 5 or less and a maximum smoke generation of 25 or less
- Fittings thru 24” diameter are fabricated from extruded duct stock which meets the ULC S 102.2 requirement
- We offer a complete line of seamless duct and duct fittings from 2” thru 24” diameters
- Specializing in larger systems fabricated from rolled stock thru 60” in diameter
- Inventory maintained and manufactured at two Harrison facilities (Garrettsville, OH and Clover, SC)
- Square and rectangular components or systems are available per customer specifications

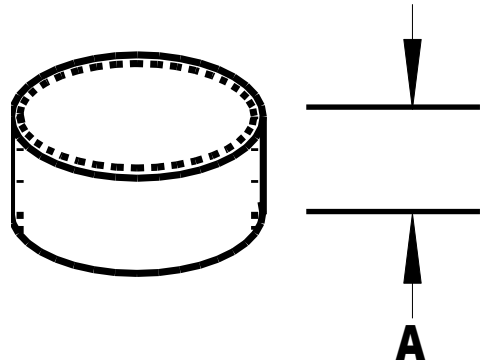
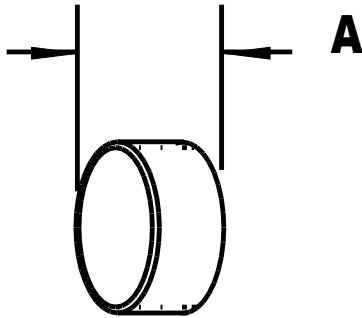


Corzan® CPVC

Duct Pipe

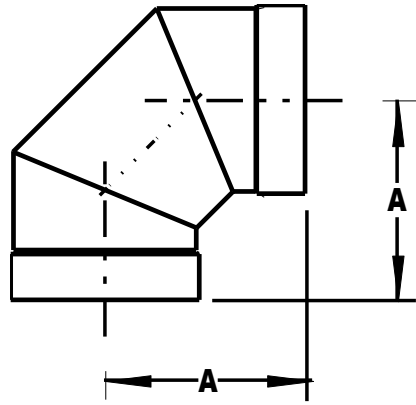
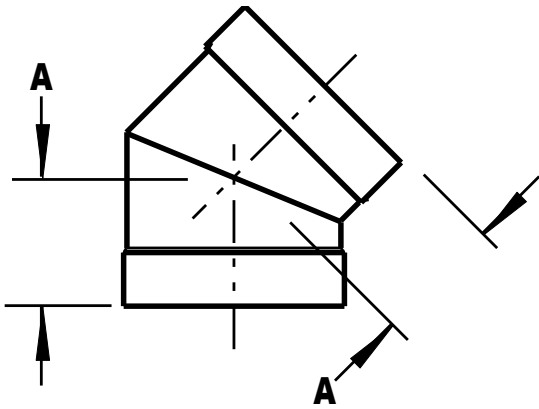
Part No.	Size	O.D.	Wall	Std. Length	List Price	List Price
					Per Ft.	Per Ft.
	Extruded				10 ft.	20 ft.
1833-PP-02	2"	2.375"	0.154"	10 ft. or 20 ft.	\$8.02	\$7.62
1833-PP-03	3"	3.500"	0.216"	10 ft. or 20 ft.	\$16.56	\$15.73
1833-PP-04	4"	4.500"	0.237"	10 ft. or 20 ft.	\$23.60	\$22.42
1833-PP-06	6"	6.625"	0.187"	10 ft. or 20 ft.	\$31.31	\$29.76
1833-PP-08	8"	8.625"	0.187"	10 ft. or 20 ft.	\$53.20	\$50.56
1833-PP-10	10"	10.750"	0.187"	10 ft. or 20 ft.	\$79.93	\$75.98
1833-PP-12	12"	12.750"	0.187"	10 ft. or 20 ft.	\$95.11	\$90.33
1833-PP-14	14"	14.000"	0.187"	10 ft. or 20 ft.	\$117.02	\$111.20
1833-PP-16	16"	16.000"	0.187"	10 ft. or 20 ft.	\$133.87	\$127.18
1833-PP-18	18"	18.000"	0.187"	10 ft. or 20 ft.	\$161.78	\$153.69
1833-PP-20	20"	20.000"	0.219"	10 ft. or 20 ft.	\$195.18	\$185.42
1833-PP-24	24"	24.000"	0.250"	10 ft. or 20 ft.	\$267.51	\$254.13

Duct diameters thru 60" are available. Contact factory for details.



Coupling		
Sleeved		
Part No.	Size	List price
1834-CP-02	2"	\$59.27
1834-CP-03	3"	\$74.93
1834-CP-04	4"	\$84.70
1834-CP-06	6"	\$96.33
1834-CP-08	8"	\$110.70
1834-CP-10	10"	\$128.44
1834-CP-12	12"	\$146.15
1834-CP-14	14"	\$155.00
1834-CP-16	16"	\$172.70
1834-CP-18	18"	\$191.52
1834-CP-20	20"	\$202.56
1834-CP-24	24"	\$236.96

Cap		
Belled		
Part No.	Size	List Price
1834-CA-02	2"	\$114.17
1834-CA-03	3"	\$127.97
1834-CA-04	4"	\$145.11
1834-CA-06	6"	\$170.25
1834-CA-08	8"	\$192.86
1834-CA-10	10"	\$217.89
1834-CA-12	12"	\$246.64
1834-CA-14	14"	\$273.14
1834-CA-16	16"	\$335.28
1834-CA-18	18"	\$422.03
1834-CA-20	20"	\$442.14
1834-CA-24	24"	\$495.33



45° Elbow		
Belled (2 piece)		
Part No.	Size	List Price
1834-45-02	2"	\$120.44
1834-45-03	3"	\$133.49
1834-45-04	4"	\$155.84
1834-45-06	6"	\$157.18
1834-45-08	8"	\$206.80
1834-45-10	10"	\$275.48
1834-45-12	12"	\$350.09
1834-45-14	14"	\$434.35
1834-45-16	16"	\$526.98
1834-45-18	18"	\$655.22
1834-45-20	20"	\$805.93
1834-45-24	24"	\$1,185.91

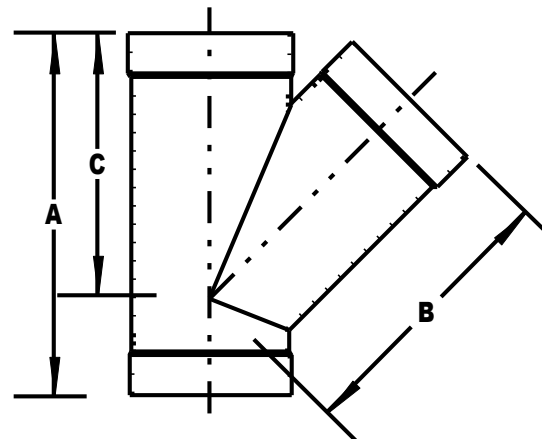
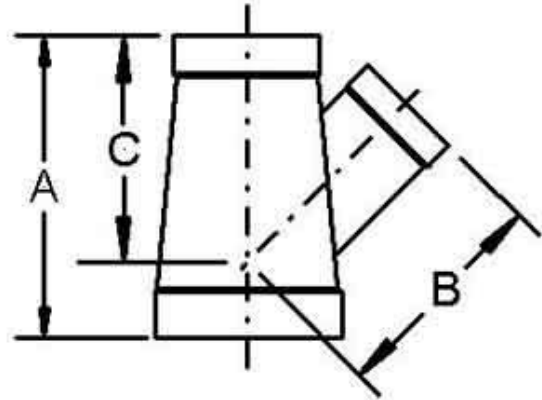
90° Elbow		
Belled (3 piece)		
Part No.	Size	List Price
1834-90-02	2"	\$156.24
1834-90-03	3"	\$169.25
1834-90-04	4"	\$196.63
1834-90-06	6"	\$217.20
1834-90-08	8"	\$309.18
1834-90-10	10"	\$439.11
1834-90-12	12"	\$510.39
1834-90-14	14"	\$650.85
1834-90-16	16"	\$803.30
1834-90-18	18"	\$1,019.63
1834-90-20	20"	\$1,282.69
1834-90-24	24"	\$1,942.81

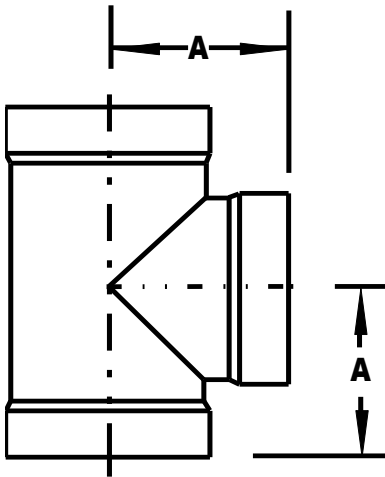


45° Wye

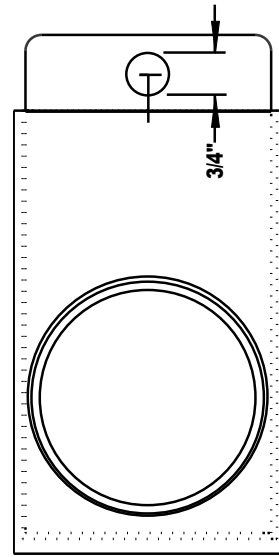
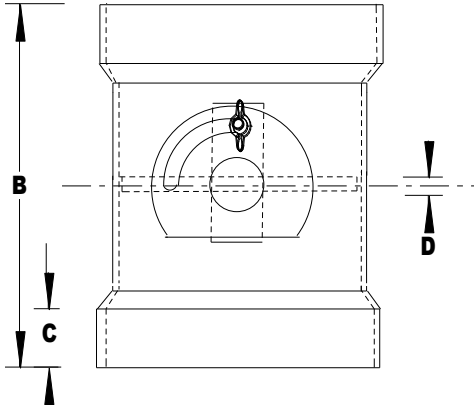
Belled

Part No.	Size	List Price
1834-Y-0604	6" x 6" x 4"	\$363.68
1834-Y-06	6" x 6" x 6"	\$400.49
1834-Y-0806	8" x 8" x 6"	\$472.20
1834-Y-08	8" x 8" x 8"	\$538.17
1834-Y-1008	10" x 10" x 8"	\$590.64
1834-Y-10	10" x 10" x 10"	\$724.17
1834-Y-1210	12" x 12" x 10"	\$820.25
1834-Y-12	12" x 12" x 12"	\$881.78
1834-Y-1412	14" x 14" x 12"	\$1,013.41
1834-Y-14	14" x 14" x 14"	\$1,060.81
1834-Y-1614	16" x 16" x 14"	\$1,186.72
1834-Y-16	16" x 16" x 16"	\$1,251.78
1834-Y-1816	18" x 18" x 16"	\$1,615.08
1834-Y-18	18" x 18" x 18"	\$1,533.98
1834-Y-2018	20" x 20" x 18"	\$1,981.53
1834-Y-20	20" x 20" x 20"	\$1,871.56
1834-Y-2420	24" x 24" x 20"	\$2,625.00
1834-Y-24	24" x 24" x 24"	\$2,692.72



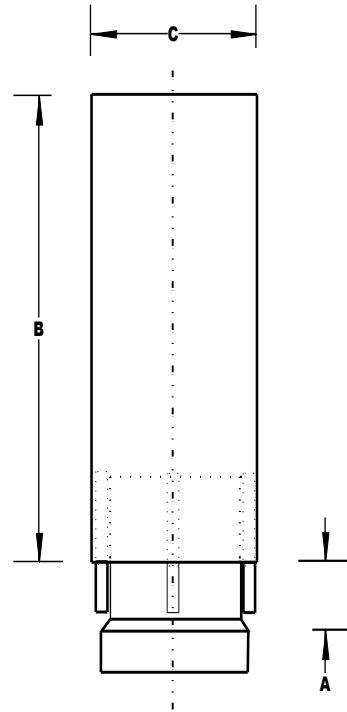
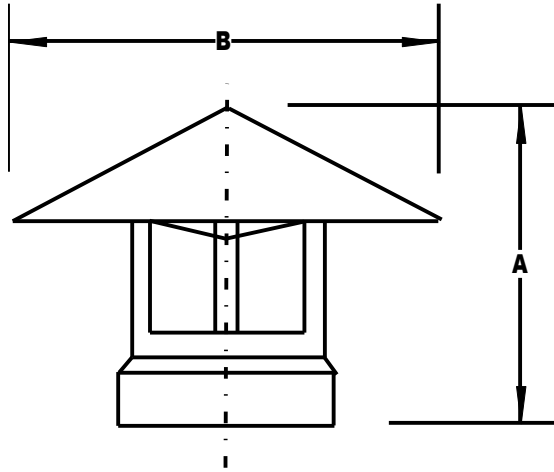


Tee		
Belled		
Part No.	Size	List Price
1834-T-02	2" x 2" x 2"	\$179.86
1834-T-03	3" x 3" x 3"	\$206.67
1834-T-04	4" x 4" x 4"	\$236.72
1834-T-06	6" x 6" x 6"	\$303.72
1834-T-0604	6" x 6" x 4"	\$246.39
1834-T-08	8" x 8" x 8"	\$447.86
1834-T-0806	8" x 8" x 6"	\$360.14
1834-T-10	10" x 10" x 10"	\$635.42
1834-T-1008	10" x 10" x 8"	\$518.61
1834-T-12	12" x 12" x 12"	\$788.28
1834-T-14	14" x 14" x 14"	\$962.61
1834-T-16	16" x 16" x 16"	\$1,139.67
1834-T-18	18" x 18" x 18"	\$1,400.67
1834-T-20	20" x 20" x 20"	\$1,706.00
1834-T-24	24" x 24" x 24"	\$2,433.39



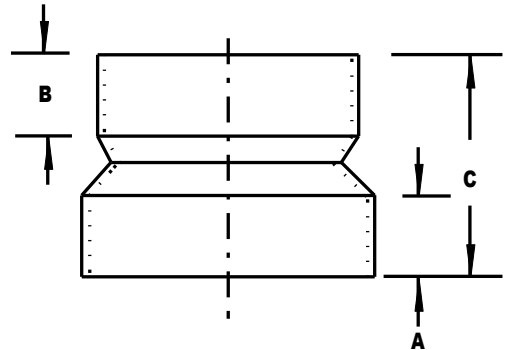
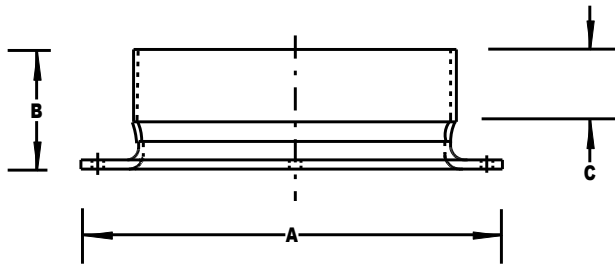
Butterfly Damper		
Belled		
Part No.	Size	List Price
1834-BD-02	2"	\$235.17
1834-BD-03	3"	\$242.11
1834-BD-04	4"	\$273.58
1834-BD-06	6"	\$319.78
1834-BD-08	8"	\$395.11
1834-BD-10	10"	\$495.19
1834-BD-12	12"	\$593.89
1834-BD-14	14"	\$688.97
1834-BD-16	16"	\$806.03
1834-BD-18	18"	\$964.17
1834-BD-20	20"	\$1,146.50
1834-BD-24	24"	\$1,591.47

Blastgate		
Belled		
Part No.	Size	List Price
1834-BG-02	2"	\$241.25
1834-BG-03	3"	\$280.67
1834-BG-04	4"	\$303.97
1834-BG-06	6"	\$399.75
1034-BG-08	8"	\$493.89
1834-BG-10	10"	\$532.50
1834-BG-12	12"	\$638.61
1834-BG-14	14"	\$757.14
1834-BG-16	16"	\$895.58
1834-BG-18	18"	\$1,095.67
1834-BG-20	20"	\$1,711.14
1834-BG-24	24"	\$1,768.33



Rain Cap (Style "A")		
Belled		
Part No.	Size	List Price
1834-WCA-02	2"	\$302.38
1834-WCA-03	3"	\$335.97
1834-WCA-04	4"	\$373.46
1834-WCA-06	6"	\$461.30
1834-WCA-08	8"	\$507.46
1834-WCA-10	10"	\$632.41
1834-WCA-12	12"	\$702.67
1834-WCA-14	14"	\$955.33
1834-WCA-16	16"	\$1,120.00
1834-WCA-18	18"	\$1,598.83
1834-WCA-20	20"	\$2,007.90
1834-WCA-24	24"	\$2,513.94

Rain Cap (Style "B")		
Zero Pressure Loss Feature		
Part No.	Size	List Price
1834-WCB-02	2"	\$346.86
1834-WCB-03	3"	\$377.05
1834-WCB-04	4"	\$418.98
1834-WCB-06	6"	\$490.13
1834-WCB-08	8"	\$544.48
1834-WCB-10	10"	\$685.21
1834-WCB-12	12"	\$768.67
1834-WCB-14	14"	\$1,387.37
1834-WCB-16	16"	\$2,401.24
1834-WCB-18	18"	\$3,103.81
1834-WCB-20	20"	\$3,521.81
1834-WCB-24	24"	\$5,513.90



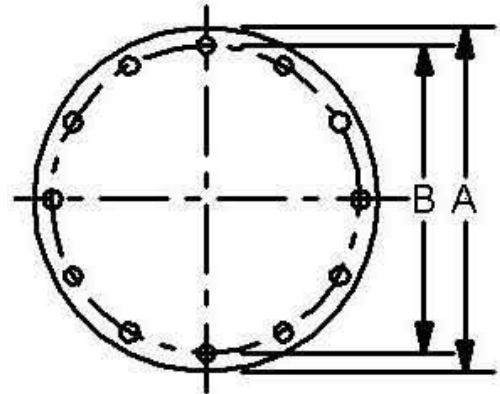
Flange		
Socket/Belled		
Part No.	Size	List Price
1834-SF-02	2"	\$65.72
1834-SF-03	3"	\$83.00
1834-SF-04	4"	\$100.72
1834-SF-06	6"	\$141.50
1834-SF-08	8"	\$163.47
1834-SF-10	10"	\$187.61
1834-SF-12	12"	\$207.11
1834-SF-14	14"	\$239.97
1834-SF-16	16"	\$294.28
1834-SF-18	18"	\$429.56
1834-SF-20	20"	\$447.08
1834-SF-24	24"	\$588.33
Duct Drilling, Not 150#		

Reducer Coupling		
One Step		
Bell X Bell		
Part No.	Size	List Price
1834-RC-0403	4 x 3"	\$121.28
1834-RC-0604	6 x 4"	\$142.11
1834-RC-0806	8 x 6"	\$160.33
1834-RC-1008	10 x 8"	\$170.97
1834-RC-1210	12 x 10"	\$182.25
1834-RC-1412	14 x 12"	\$193.89
1834-RC-1614	16 x 14"	\$207.03
1834-RC-1816	18 x 16"	\$443.56
1834-RC-2018	20 x 18"	\$522.94
1834-RC-2420	24 x 20"	\$821.25



Blind Flange

Part No.	Size	List Price
1834-BF-02	2"	\$86.50
1834-BF-03	3"	\$100.31
1834-BF-04	4"	\$113.89
1834-BF-06	6"	\$123.64
1834-BF-08	8"	\$132.89
1834-BF-10	10"	\$155.64
1834-BF-12	12"	\$189.78
1834-BF-14	14"	\$227.72
1834-BF-16	16"	\$246.69
1834-BF-18	18"	\$275.14
1834-BF-20	20"	\$332.11
1834-BF-24	24"	\$398.61



All blind flanges are 3/16" thick.

All bolt holes are 5/16" diameter.

- Please contact the factory for items not shown in this catalog
- Virtually all reduction sizes are available in tees, wyes, elbows and reducer couplings
- All configurations are also available in plain end (spigot end) end connections
- Pricing for Rear Exhaust (Single and Double) Hoods as well as Lateral (Single and Double) Hoods available on request
- All types of transitions (square to round, rectangular to round) with socket, spigot or flanged connections are available per customer specification