

**Harrison Machine
& Plastic Corporation**



**CORZAN® CPVC
Fume Exhaust Systems**

**CPVC DUCT FITTINGS &
CPVC DUCT PIPE**

LIST PRICE CATALOG



CORZAN® Key Industrial Fabricator

- Harrison is recognized for inclusion in the Corzan® Key Industrial Fabricator Program, in that we have completed a qualification process, whereby our welding processes meet established standards, which focus on weld strength (short term tensile strength), following the guidelines of ASTM C 1147
- Harrison CPVC duct systems are produced from a CPVC Corzan® material with unique physical properties offering higher impact strength and fire resistance capabilities, making Corzan® a desirable product for air handling duct systems
- CPVC has an upper temperature limit 200° F
- CPVC Is light weight, easy to install and is cost effective
- Extruded duct thru 24" diameter meets ULC S102.2 with a maximum flame spread rating of 5 or less and a maximum smoke generation of 25 or less
- Fittings thru 24" diameter are fabricated from extruded duct stock which meets the ULC S 102.2 requirement
- We offer a complete line of seamless duct and duct fittings from 2" thru 24" diameters
- Specializing in larger systems fabricated from rolled stock thru 60" in diameter
- Inventory maintained and manufactured at two Harrison facilities (Garrettsville, OH and Clover, SC)
- Square and rectangular components or systems are available per customer specifications

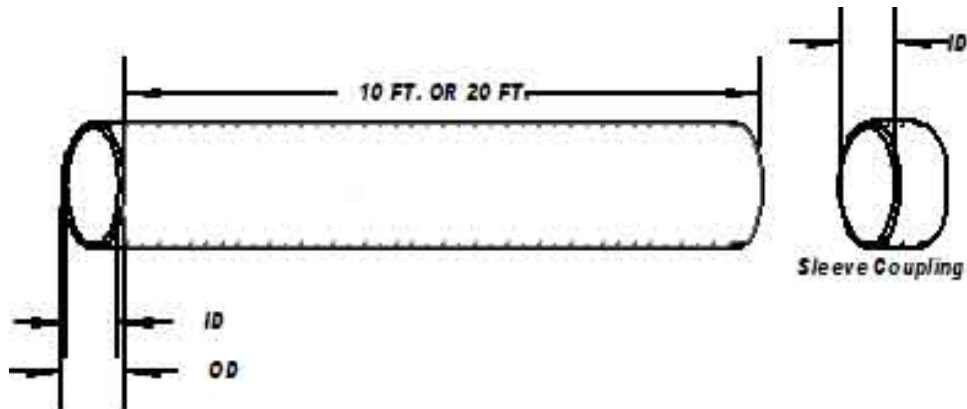


HARRISON MACHINE & PLASTIC CORPORATION

11614 ST. RT. 88 | GARRETTSVILLE, OH

Ph. 330.527.5641 | Fax 330.527.5640

HMP 1/04/10



Corzan® CPVC

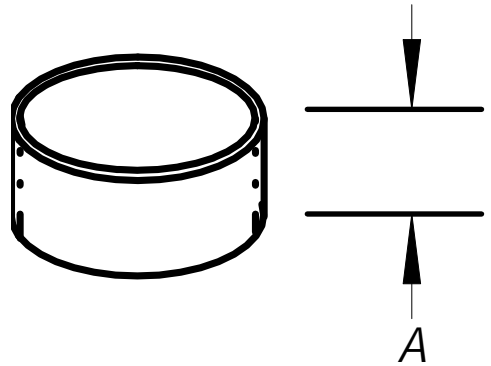
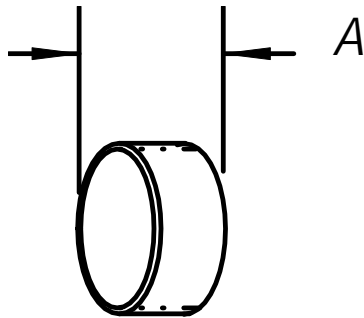
(Duct/Pipe)

Part No.	Size	(O.D)	Wall	Std. Length	List Price Per Ft.	List Price Per Ft.
	Extruded				10 ft.	20 ft.
1833-PP-02	2"	2.375"	0.154"	10 ft. or 20 ft.	\$8.02	\$7.62
1833-PP-03	3"	3.500"	0.216"	10 ft. or 20 ft.	\$16.56	\$15.73
1833-PP-04	4"	4.500"	0.237"	10 ft. or 20 ft.	\$23.60	\$22.42
1833-PP-06	6"	6.625"	0.187"	10 ft. or 20 ft.	\$31.32	\$29.76
1833-PP-08	8"	8.625"	0.187"	10 ft. or 20 ft.	\$53.20	\$50.56
1833-PP-10	10"	10.750"	0.187"	10 ft. or 20 ft.	\$79.94	\$75.97
1833-PP-12	12"	12.750"	0.187"	10 ft. or 20 ft.	\$95.10	\$90.34
1833-PP-14	14"	14.000"	0.187"	10 ft. or 20 ft.	\$117.03	\$111.19
1833-PP-16	16"	16.000"	0.187"	10 ft. or 20 ft.	\$133.86	\$127.18
1833-PP-18	18"	18.000"	0.187"	10 ft. or 20 ft.	\$145.59	\$153.69
1833-PP-20	20"	20.000"	0.219"	10 ft. or 20 ft.	\$195.17	\$185.42
1833-PP-24	24"	24.000"	0.250"	10 ft. or 20 ft.	\$267.52	\$254.14

Rolled

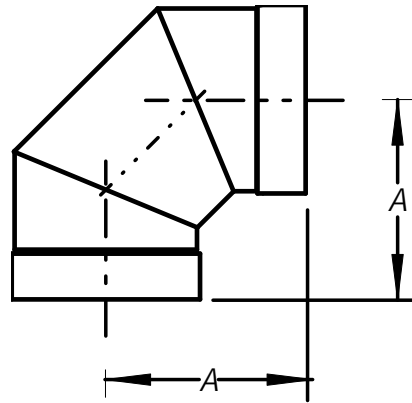
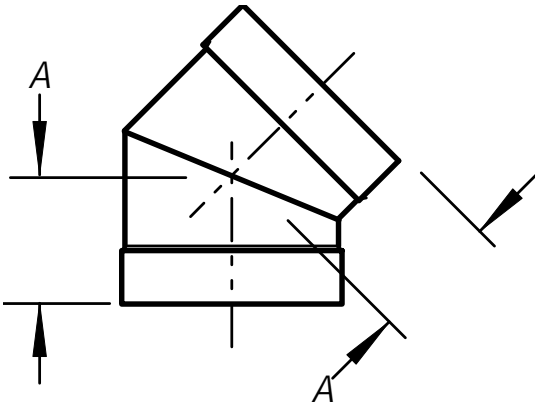
1834-PP-22	22"	22.000"	0.187"	4 ft. w/ Coupling	\$278.43
1834-PP-26	26"	26.000"	0.187"	4 ft. w/ Coupling	\$306.92
1834-PP-28	28"	28.000"	0.187"	4 ft. w/ Coupling	\$327.69
1834-PP-30	30"	30.000"	0.187"	4 ft. w/ Coupling	\$351.96

Duct diameters thru 60" are available. Contact factory for details.



Coupling		
(Sleeved)		
Part No.	Size	List price
1834-CP-02	2"	\$41.49
1834-CP-03	3"	\$44.96
1834-CP-04	4"	\$50.83
1834-CP-06	6"	\$57.81
1834-CP-08	8"	\$66.43
1834-CP-10	10"	\$77.06
1834-CP-12	12"	\$87.69
1834-CP-14	14"	\$93.01
1834-CP-16	16"	\$103.62
1834-CP-18	18"	\$114.90
1834-CP-20	20"	\$121.54
1834-CP-24	24"	\$142.17

Cap		
(Belled)		
Part No.	Size	List Price
1834-CA-02	2"	\$91.33
1834-CA-03	3"	\$102.38
1834-CA-04	4"	\$116.08
1834-CA-06	6"	\$136.21
1834-CA-08	8"	\$154.28
1834-CA-10	10"	\$174.31
1834-CA-12	12"	\$197.30
1834-CA-14	14"	\$218.51
1834-CA-16	16"	\$268.22
1834-CA-18	18"	\$337.63
1834-CA-20	20"	\$353.72
1834-CA-24	24"	\$396.26



45° Elbow		
Belled (2 piece)		
Part No.	Size	List Price
1834-45-02	2"	\$102.38
1834-45-03	3"	\$113.46
1834-45-04	4"	\$132.47
1834-45-06	6"	\$133.61
1834-45-08	8"	\$175.77
1834-45-10	10"	\$234.16
1834-45-12	12"	\$297.57
1834-45-14	14"	\$369.20
1834-45-16	16"	\$447.93
1834-45-18	18"	\$556.93
1834-45-20	20"	\$685.04
1834-45-24	24"	\$1,008.02

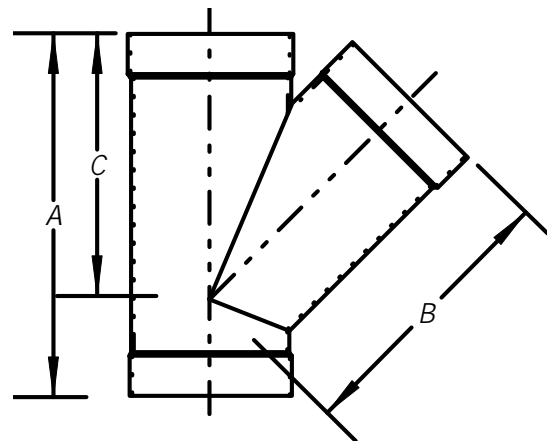
90° Elbow		
Belled (3 piece)		
Part No.	Size	List Price
1834-90-02	2"	\$132.80
1834-90-03	3"	\$143.87
1834-90-04	4"	\$167.13
1834-90-06	6"	\$184.62
1834-90-08	8"	\$262.80
1834-90-10	10"	\$373.24
1834-90-12	12"	\$484.87
1834-90-14	14"	\$618.30
1834-90-16	16"	\$763.14
1834-90-18	18"	\$968.64
1834-90-20	20"	\$1,218.56
1834-90-24	24"	\$1,845.67

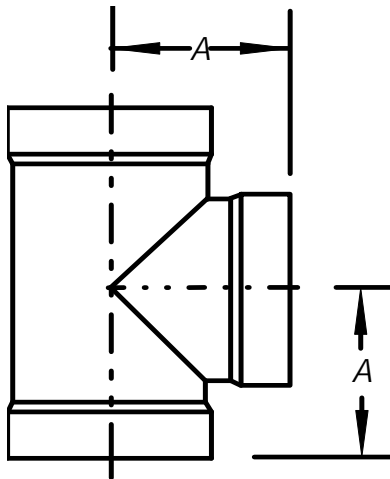


45° Wye

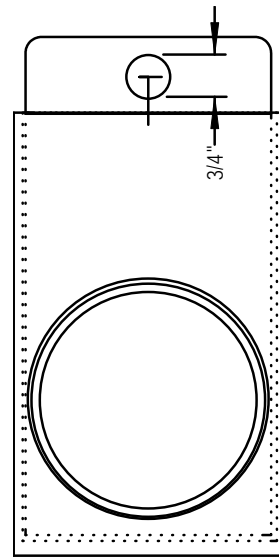
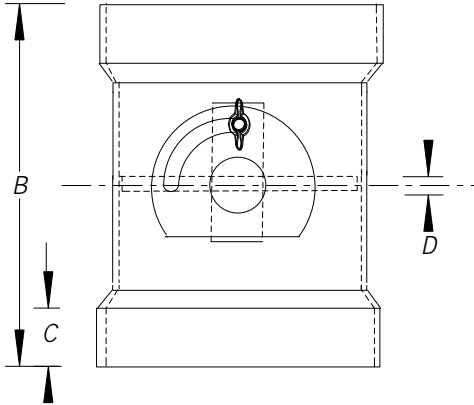
Belled

Part No.	Size	List Price
1834-Y-0604	6 x 6 x 4"	\$327.30
1834-Y-06	6 x 6 x 6"	\$360.44
1834-Y-0806	8 x 8 x 6"	\$424.97
1834-Y-08	8 x 8 x 8"	\$484.36
1834-Y-1008	10 x 10 x 8"	\$531.58
1834-Y-10	10 x 10 x 10"	\$651.76
1834-Y-1210	12 x 12 x 10"	\$738.22
1834-Y-12	12 x 12 x 12"	\$793.59
1834-Y-1412	14 x 14 x 12"	\$912.06
1834-Y-14	14 x 14 x 14"	\$954.74
1834-Y-1614	16 x 16 x 14"	\$1,068.04
1834-Y-16	16 x 16 x 16"	\$1,126.61
1834-Y-1816	18 x 18 x 16"	\$1,292.07
1834-Y-18	18 x 18 x 18"	\$1,380.58
1834-Y-2018	20 x 20 x 18"	\$1,585.23
1834-Y-20	20 x 20 x 20"	\$1,684.41
1834-Y-2420	24 x 24 x 20"	\$2,100.01
1834-Y-24	24 x 24 x 24"	\$2,423.44



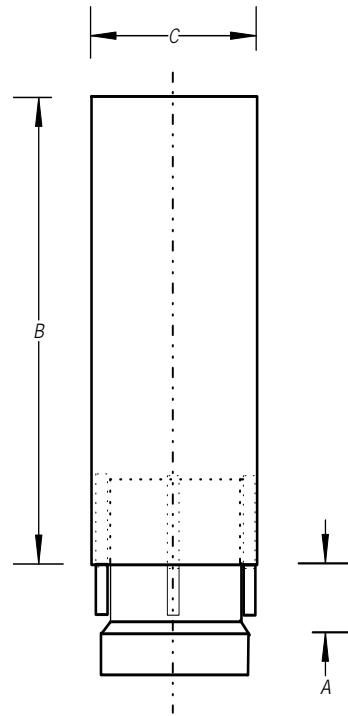
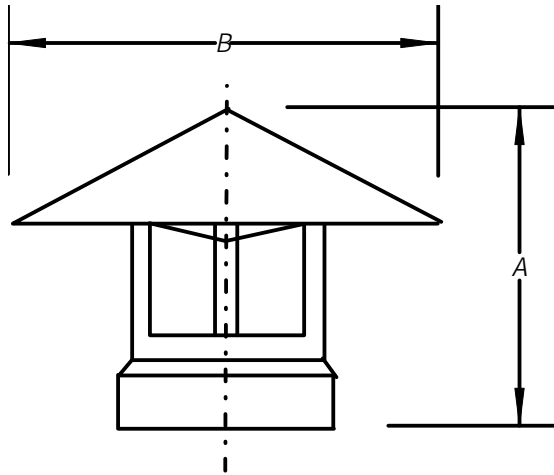


Tee		
Belled		
Part No.	Size	List Price
1834-T-02	2 x 2 x 2"	\$143.88
1834-T-03	3 x 3 x 3"	\$165.33
1834-T-04	4 x 4 x 4"	\$189.38
1834-T-0604	6 x 6 x 4"	\$197.12
1834-T-06	6 x 6 x 6"	\$242.97
1834-T-0806	8 x 8 x 6"	\$288.10
1834-T-08	8 x 8 x 8"	\$358.28
1834-T-1008	10 x 10 x 8"	\$414.89
1834-T-10	10 x 10 x 10"	\$508.33
1834-T-1210	12 x 12 x 10"	\$546.27
1834-T-12	12 x 12 x 12"	\$630.62
1834-T-1412	14 x 14 x 12"	\$678.20
1834-T-14	14 x 14 x 14"	\$770.09
1834-T-1614	16 x 16 x 14"	\$798.32
1834-T-16	16 x 16 x 16"	\$911.74
1834-T-1816	18 x 18 x 16"	\$971.82
1834-T-18	18 x 18 x 18"	\$1,120.53
1834-T-2018	20 x 20 x 18"	\$1,194.20
1834-T-20	20 x 20 x 20"	\$1,364.80
1834-T-2420	24 x 24 x 20"	\$1,614.91
1834-T-24	24 x 24 x 24"	\$1,946.71



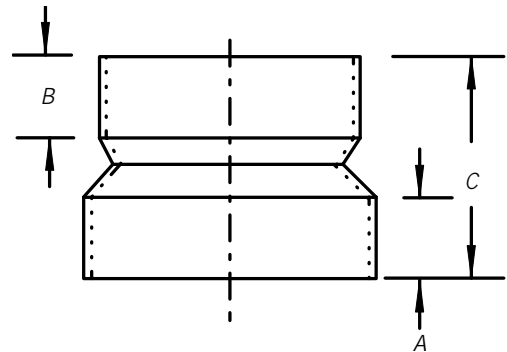
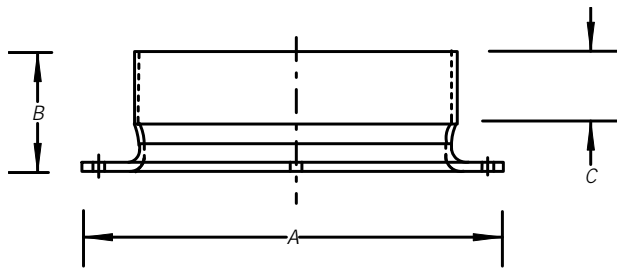
Blastgate		
(Belled)		
Part No.	Size	List Price
1834-BG-02	2"	\$193.00
1834-BG-03	3"	\$224.53
1834-BG-04	4"	\$243.17
1834-BG-06	6"	\$319.79
1034-BG-08	8"	\$395.11
1834-BG-10	10"	\$425.99
1834-BG-12	12"	\$510.88
1834-BG-14	14"	\$605.70
1834-BG-16	16"	\$716.46
1834-BG-18	18"	\$876.54
1834-BG-20	20"	\$1,368.92
1834-BG-24	24"	\$1,414.67

Butterfly Damper		
(Belled)		
Part No.	Size	List Price
1834-BD-02	2"	\$188.13
1834-BD-03	3"	\$193.69
1834-BD-04	4"	\$218.87
1834-BD-06	6"	\$255.82
1834-BD-08	8"	\$316.08
1834-BD-10	10"	\$396.16
1834-BD-12	12"	\$475.12
1834-BD-14	14"	\$551.18
1834-BD-16	16"	\$644.82
1834-BD-18	18"	\$771.33
1834-BD-20	20"	\$917.20
1834-BD-24	24"	\$1,273.18



Rain Cap (Style "A")		
(Belled)		
Part No.	Size	List Price
1834-WCA-02	2"	\$211.66
1834-WCA-03	3"	\$235.18
1834-WCA-04	4"	\$261.42
1834-WCA-06	6"	\$322.92
1834-WCA-08	8"	\$355.22
1834-WCA-10	10"	\$442.69
1834-WCA-12	12"	\$491.87
1834-WCA-14	14"	\$668.73
1834-WCA-16	16"	\$784.01
1834-WCA-18	18"	\$1,119.18
1834-WCA-20	20"	\$1,405.54
1834-WCA-24	24"	\$1,759.76

Rain Cap (Style "B")		
Zero Pressure Loss Feature		
Part No.	Size	List Price
1834-WCB-02	2"	\$242.79
1834-WCB-03	3"	\$263.94
1834-WCB-04	4"	\$293.29
1834-WCB-06	6"	\$343.08
1834-WCB-08	8"	\$381.13
1834-WCB-10	10"	\$479.64
1834-WCB-12	12"	\$538.07
1834-WCB-14	14"	\$971.16
1834-WCB-16	16"	\$1,680.87
1834-WCB-18	18"	\$2,172.67
1834-WCB-20	20"	\$2,465.27
1834-WCB-24	24"	\$3,859.74



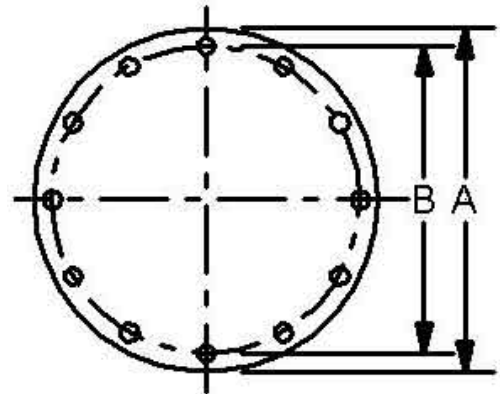
Flange		
(Socket/Belled)		
Part No.	Size	List Price
1834-SF-02	2"	\$52.57
1834-SF-03	3"	\$66.41
1834-SF-04	4"	\$80.57
1834-SF-06	6"	\$113.20
1834-SF-08	8"	\$130.77
1834-SF-10	10"	\$150.08
1834-SF-12	12"	\$165.69
1834-SF-14	14"	\$191.98
1834-SF-16	16"	\$235.43
1834-SF-18	18"	\$343.64
1834-SF-20	20"	\$357.67
1834-SF-24	24"	\$470.67

Reducer Coupling		
(One Step)		
Bell X Bell		
Part No.	Size	List Price
1834-RC-0403	4 x 3"	\$97.03
1834-RC-0604	6 x 4"	\$113.68
1834-RC-0806	8 x 6"	\$128.27
1834-RC-1008	10 x 8"	\$136.77
1834-RC-1210	12 x 10"	\$145.81
1834-RC-1412	14 x 12"	\$155.10
1834-RC-1614	16 x 14"	\$165.63
1834-RC-1816	18 x 16"	\$354.84
1834-RC-2018	20 x 18"	\$418.36
1834-RC-2420	24 x 20"	\$656.99



Blind Flange

Part No.	Size	List Price
1834-BF-02	2"	\$69.19
1834-BF-03	3"	\$80.24
1834-BF-04	4"	\$91.11
1834-BF-06	6"	\$98.91
1834-BF-08	8"	\$106.30
1834-BF-10	10"	\$124.52
1834-BF-12	12"	\$151.82
1834-BF-14	14"	\$182.18
1834-BF-16	16"	\$197.36
1834-BF-18	18"	\$220.12
1834-BF-20	20"	\$265.68
1834-BF-24	24"	\$318.89



All blind flanges are 3/16" thick.

All bolt holes are 5/16" diameter.

- Please contact the factory for items not shown in this catalog
- Virtually all reduction sizes are available in tees, wyes, elbows and reducer couplings
- All configurations are also available in plain end (spigot end) end connections
- Pricing for Rear Exhaust (Single and Double) Hoods as well as Lateral (Single and Double) Hoods available on request
- All types of transitions (square to round, rectangular to round) with socket, spigot or flanged connections are available per customer specification